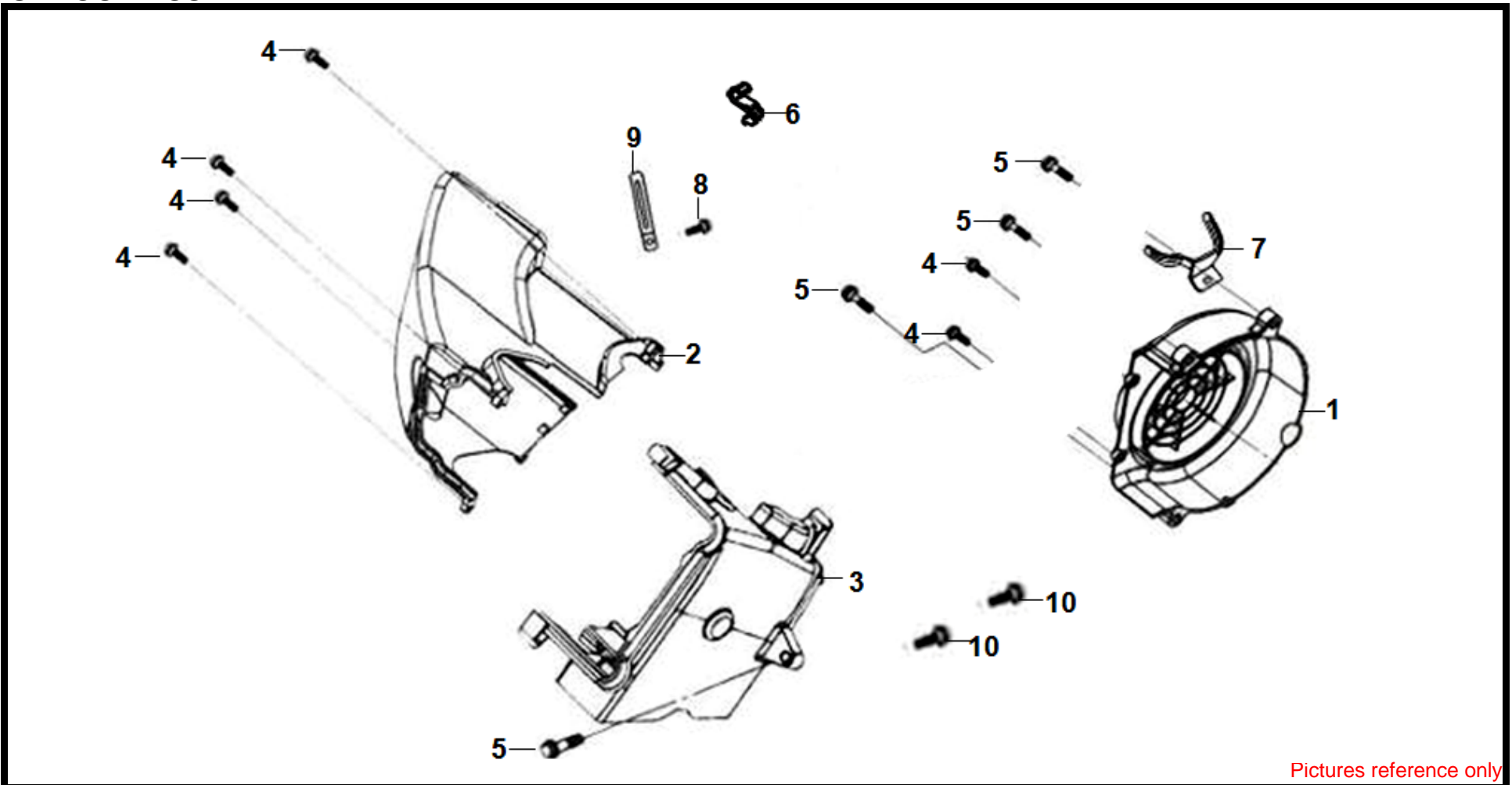


N O	MODEL		XC20W1-MYC(JET 14 200/X9L)					
	DATE		Nov-16	Nov-16	Sep-16	Nov-16	Nov-16	Mar-18
	BASIC COLOR		RD	BP	WA	AJ	KC	AG
	COLOR CODE		R-010CA	BU-289S	WH-006	BR-497U	BK-007U	GY-010U
	Description	Parts Number	RED	BLUE	WHITE	BROWN	BLACK	GRAY
1	R FR. COVER	64301-X8A-000	RD	BP	WA	AJ	KC	AG
2	L FR. COVER	64302-X8A-000	RD	BP	WA	AJ	KC	AG
3	R BODY COVER	83500-X8A-000	RD	BP	WA	AJ	KC	AG
4	L BODY COVER	83600-X8A-000	RD	BP	WA	AJ	KC	AG
5	RR. CENTER COVER	83650-X8A-000	RD	BP	WA	AJ	KC	AG
6	R RR. SIDE COVER	83530-X8A-000	AE	AE	AE	AE	AE	AE
7	L RR. SIDE COVER	83630-X8A-000	AE	AE	AE	AE	AE	AE
8	R BODY LOWER COVER	83510-X8A-000	AE	AE	AE	AE	AE	AE
9	L BODY LOWER COVER	83610-X8A-000	AE	AE	AE	AE	AE	AE
10	WIND SCREEN GARNISH	67110-X8A-000	AE	AE	AE	AE	AE	AE
11	FR. FENDER	61100-X8A-000	K	K	K	K	K	K
12	METER UP COVER	53208-X9B-000	•	•	•	•	•	•
13	R BACK MIRROR	88110-XPA-000	K	K	K	K	K	K
14	L BACK MIRROR	88120-XPA-000	K	K	K	K	K	K
15	RR. CUSHION	52400-AR1-010	K-C	K-C	K-C	K-C	K-C	K-C
16	FR. R CUSHION	51400-X8A-000	K-C	K-C	K-C	K-C	K-C	K-C
17	FR. L CUSHION	51500-X8A-000	K-C	K-C	K-C	K-C	K-C	K-C
19	RR. CARRIER	81200-X8A-000	K	K	K	K	K	K
20	RURO 4 STRIPE	87121-ANT-000	•	•	•	•	•	•
21	BODY COVER EMBLEM	87128-X8A-000	•	•	•	•	•	•
22	R. SIDE COVER STRIPE	87131-X8A-000	T3	T5	T1	T4	T2	T2
23	L. SIDE COVER STRIPE	87132-X8A-000	T3	T5	T1	T4	T2	T2
24	RH. Inner box garnish	81133-X8A-000	AE	AE	AE	AE	AE	AE
25	LH. Inner box garnish	81143-X8A-000	AE	AE	AE	AE	AE	AE
26	RURO 4 STRIPE	87145-U43-000	•	•	•	•	•	•
27	FR. COVER LID EMBLEM	87552-L6G-900	•	•	•	•	•	•
28	R/L.UNDER SPOILER STRIPE	87130-X9A-000	•	•	•	•	•	•
29	EXH MUFFLER	18000-X9A-000	K-C	K-C	K-C	K-C	K-C	K-C
30	FR. BRAKE	4550A-X9A-000	•	•	•	•	•	•
31	RR BRAKE ASS'Y	4350A-X9A-000	•	•	•	•	•	•
32	HNDL. PIPE UP. HOLDER	53131-AWU-000	KH	KH	KH	KH	KH	KH
33	FRAME NUMBER LID	64318-ALA-000	BK	BK	BK	BK	BK	BK
34	L. CRANK CASE COVER	11341-XMA-020	K1	K1	K1	K1	K1	K1

E01
SHROUD ASSY

XC20W1-MYC(JET 14 200/X9L)



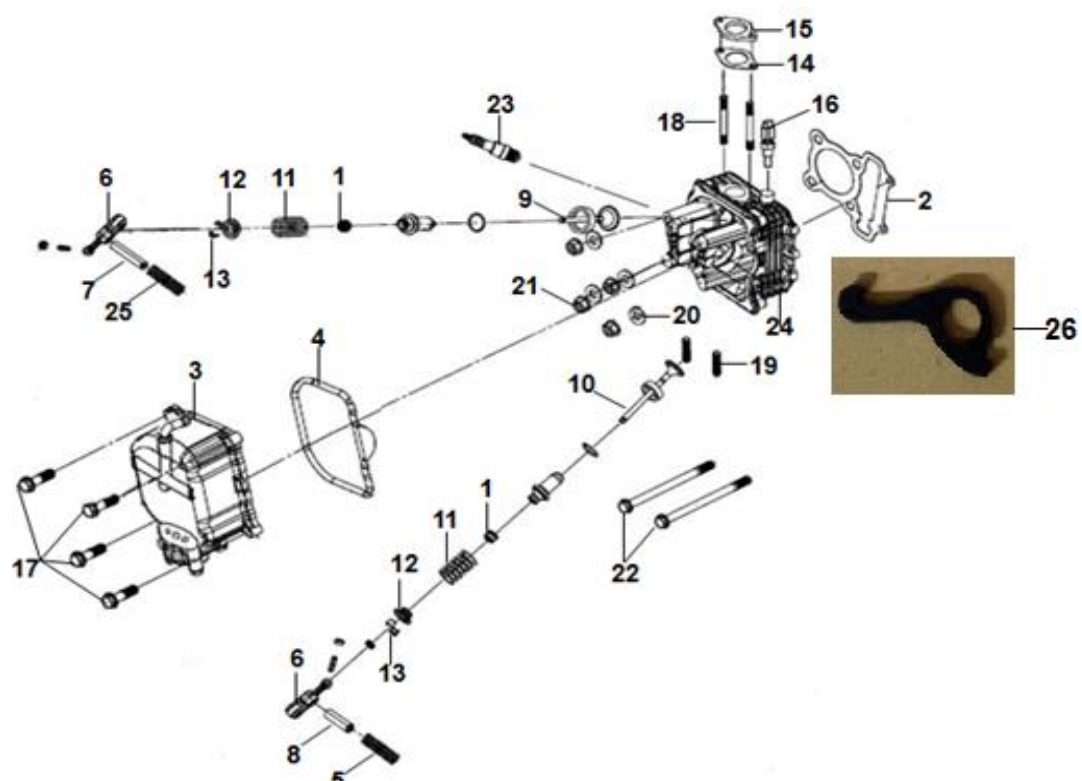
Pictures reference only

NO	PARTS NUMBER	DESCRIPTION	QTY	REMARK
1	1961A-X8A-000	Fan cover COMP.	1	
2	1962A-X8A-000	Shroud A ASSY.	1	
3	1963A-Z7P-000	Shroud B ASSY.	1	
4	93904-35340	Tapping screw 5*16	6	
5	96001-06025-08	SH. flange bolt 6*25	4	
6	11383-GY6-A00	Breather tube clamp	1	
7	19613-GY6-900	Starter motor cord clamp	1	
8	93903-34340	Tapping screw 4*12	1	
9	94591-17000	Clip 2*80	1	
10	93903-35380	Tapping screw 5*16	2	

●Please check the color & stripe information according to the color index !

Jul-19

**E02
CYLINDER HEAD**



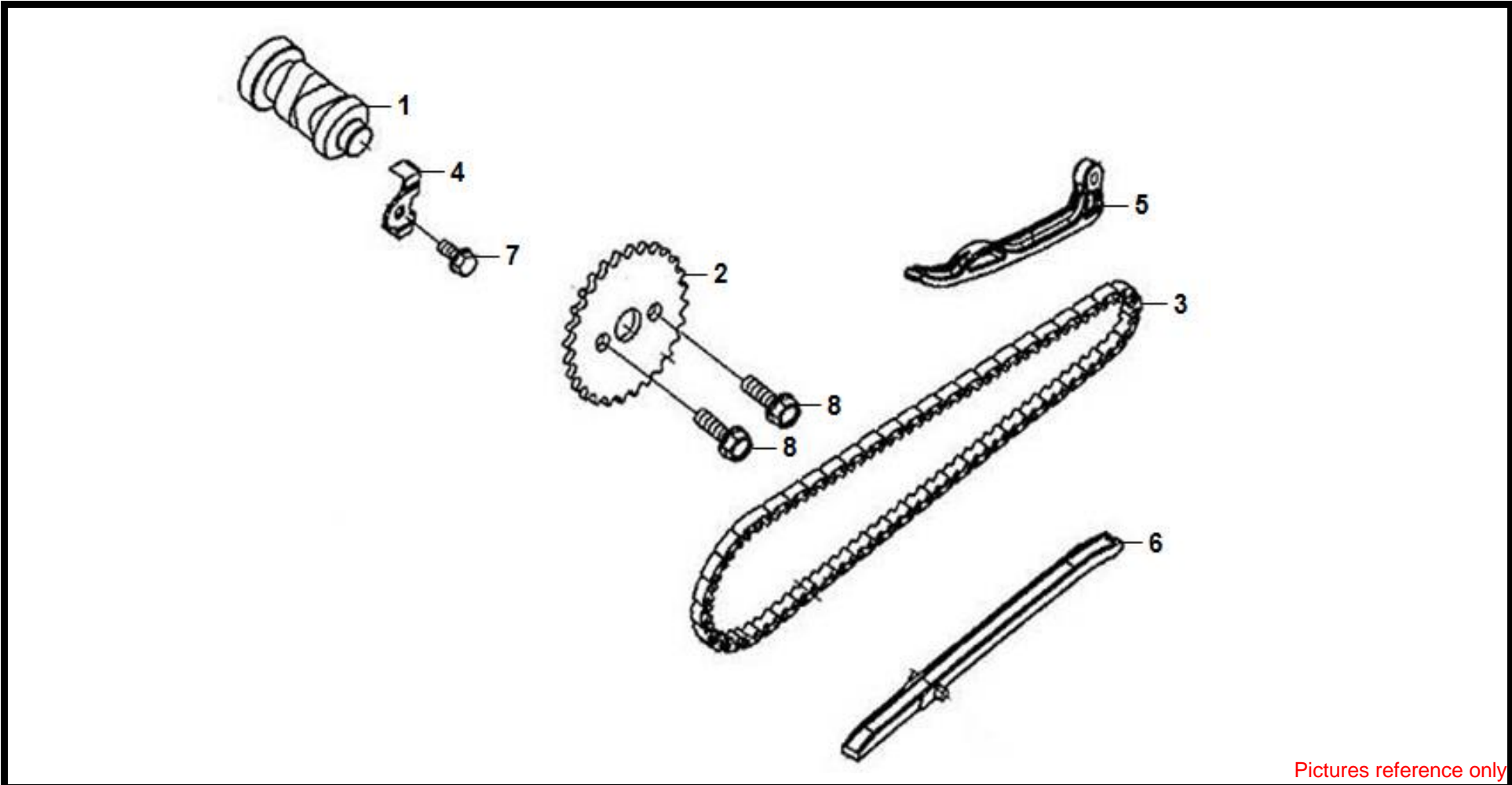
Pictures reference only

NO	PARTS NUMBER	DESCRIPTION	QTY	REMARK
1	12209-H6B-0000	Valve stem seal	2	
2	12251-XJA-000	Cylinder head gasket	1	
3	12310-A61-000	Cylinder head cover COMP	1	
3-1	12302-ANL-000	Breather separate plate	1	
3-2	12308-Z2D-000	Separate plate gasket	1	
4	12391-F8A-0001	Head Cover Packing	1	
5	14439-F62-010	Rocker arm torsion spring	1	
6	1443A-ANL-010	Valve rocker arm ASSY.	2	
7	14451-ANL-000	IN. rocker arm shaft	1	
8	14452-ANL-000	EXH. rocker arm shaft	1	
9	14711-F8A-000	IN. valve	1	
10	14721-F8A-000	EXH. valve	1	
11	14751-ARA-000	Valve spring	2	
12	14771-F6C-A00	Retainer valve spring	2	
13	14781-A01-A00-A	Valve cotter	1	4pcs/set
14	16201-Z2D-000	CARB. insulator gasket	2	
15	16211-ANL-010	CARB. insulator	1	
16	37880-Z5C-000-M1	CYL. head TEMP. sensor	1	
17	93903-34180	Tapping screw 4*8	5	
18	90033-M92-000	STUD bolt 6*55	2	
19	90034-HMA-000	Special STUD bolt 8*40	2	
20	90442-028-000	Sealing washer 8MM	4	
21	94050-08080	Flange nut 8MM	4	
22	96001-06095-08	Flange sh bolt 6*95	2	
23	AC-1PCR7HSA-3	PLUG. spark(NGK CR7HSA)	1	
24	1220C-XMA-000	Cylinder head ASSY	1	
25	14439-XJA-000	Rocker arm torsion spring	1	
26	14153-VJ3-000	STOPPER	1	

●Please check the color & stripe information according to the color index !

Jul-19

CAM SHAFT & CYL. HEAD L. SIDE COVER

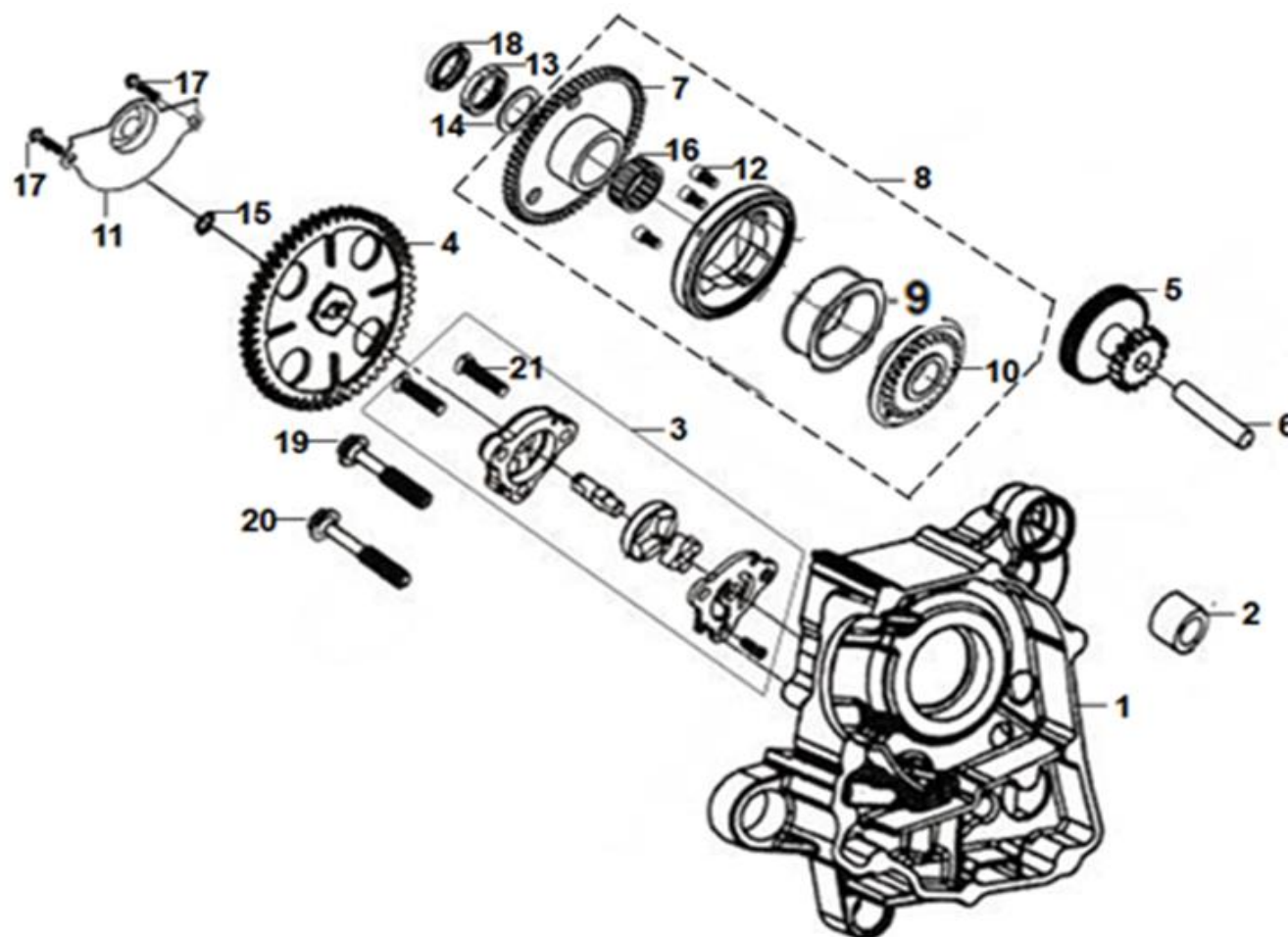


Pictures reference only

NO	PARTS NUMBER	DESCRIPTION	QTY	REMARK
1	14100-XJA-010	Cam shaft COMP.	1	
2	14105-F6A-000	Cam sprocket	1	
3	1C14401-M92-000	Cam chain	1	
4	14457-ANL-000	Cam shaft setting plate	1	
5	14510-F8A-0001-L1	Cam chain tensioner	1	
6	14610-F8A-0001-L1	Cam chain guide	1	
7	96001-06012-04	SH. flange bolt 6*12	1	
8	90083-B12-000	Knock bolt 6MM	2	

•Please check the color & stripe information according to the color index !

R CRANK CASE & OIL PUMP ASSY



Pictures reference only

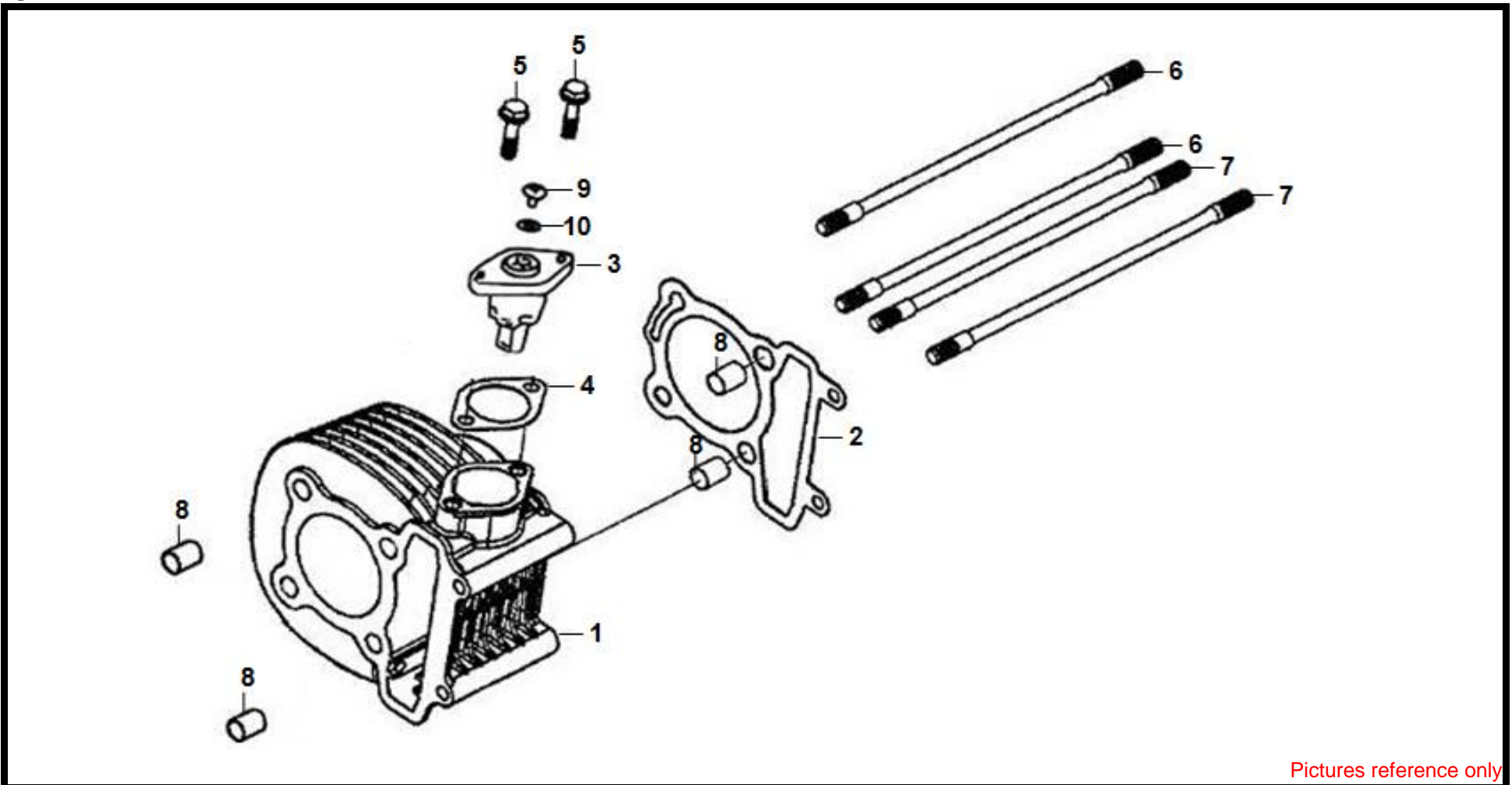
NO	PARTS NUMBER	DESCRIPTION	QTY	REMARK
1	11100-ARA-000	R. crank case COMP.	1	
2	11102-M9Q-3000-L1	ENG. hanger rubber bush	1	
3	15100-F6C-000	Oil pump ASSY.	1	
4	15133-F6C-000	Oil pump driven gear	1	
5	28101-GY6-900	Starter reduction gear	1	
6	28102-GY6-900	Start. red. gear shaft	1	
7	28110-VVC-000	Start. clutch gear COMP	1	
8	2812A-XJA-000	Starting clutch outer ASSY.	1	
9	91105-VUA-010-VN	INNER ARCE ASSY.	1	
10	28125-XJA-000	Starting clutch flange COMP.	1	
11	15711-M92-000	Oil pump separator	1	
12	90002-XJA-000	Flat rivet	3	
13	90201-GY6-900	Lock nut 22MM	1	
14	90403-M92-000	Thrust washer 22.2*31*1.5	1	
15	90602-N01-000	C-clip 8mm	1	
16	91104-M9Q-000	Needle bearing 28*32*17	1	
17	96001-06012-08	SH. flange bolt 6X12	2	
18	91201-M9Q-300-M2	Oil seal 19.8*30*5R	1	
19	96001-06045-08	Flange bolt 6*45	1	
20	96001-06055-08	Flange bolt 6*55	1	
21	93600-06025-0A	Flate screw 6*25	2	

●Please check the color & stripe information according to the color index !

Jul-19

E05
CYLINDER

XC20W1-MYC(JET 14 200/X9L)



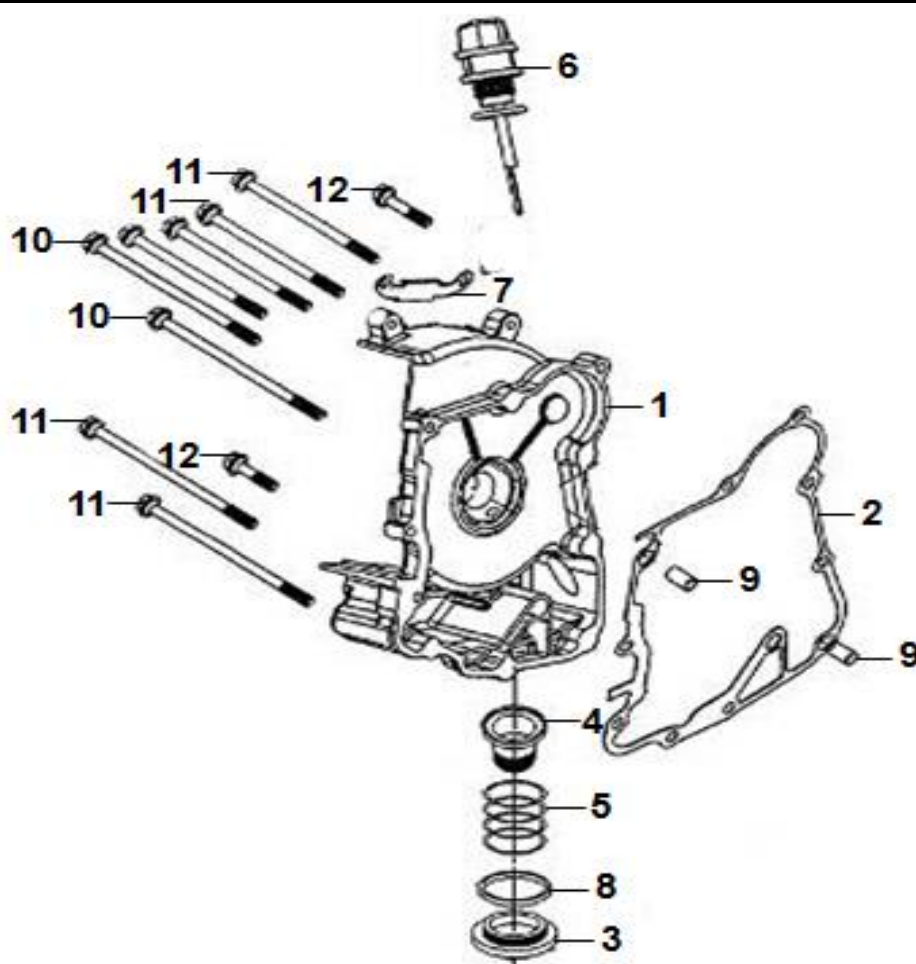
Pictures reference only

NO	PARTS NUMBER	DESCRIPTION	QTY	REMARK
1	12100-XJA-010	Cylinder	1	
2	12191-Z2D-000	Cylinder gasket	1	
3	14520-GY6-901	Tensioner lifter ASSY.	1	
4	14523-Z8G-000	Tensioner lifter gasket	1	
5	90001-M9Q-000	SH. flange bolt 6*22	2	
6	90031-107-010	Cylinder stud bolt A	2	
7	90032-A6A-000	Cylinder stud bolt B	2	
8	90703-M8Q-000	Dowel pin 10*14	4	
9	90005-KW1-900	Pan screw 6*6	1	
10	91306-GY6-A00	O-ring 1.78*9.5	1	

●Please check the color & stripe information according to the color index !

Jul-19

R. CRANK CASE COVER

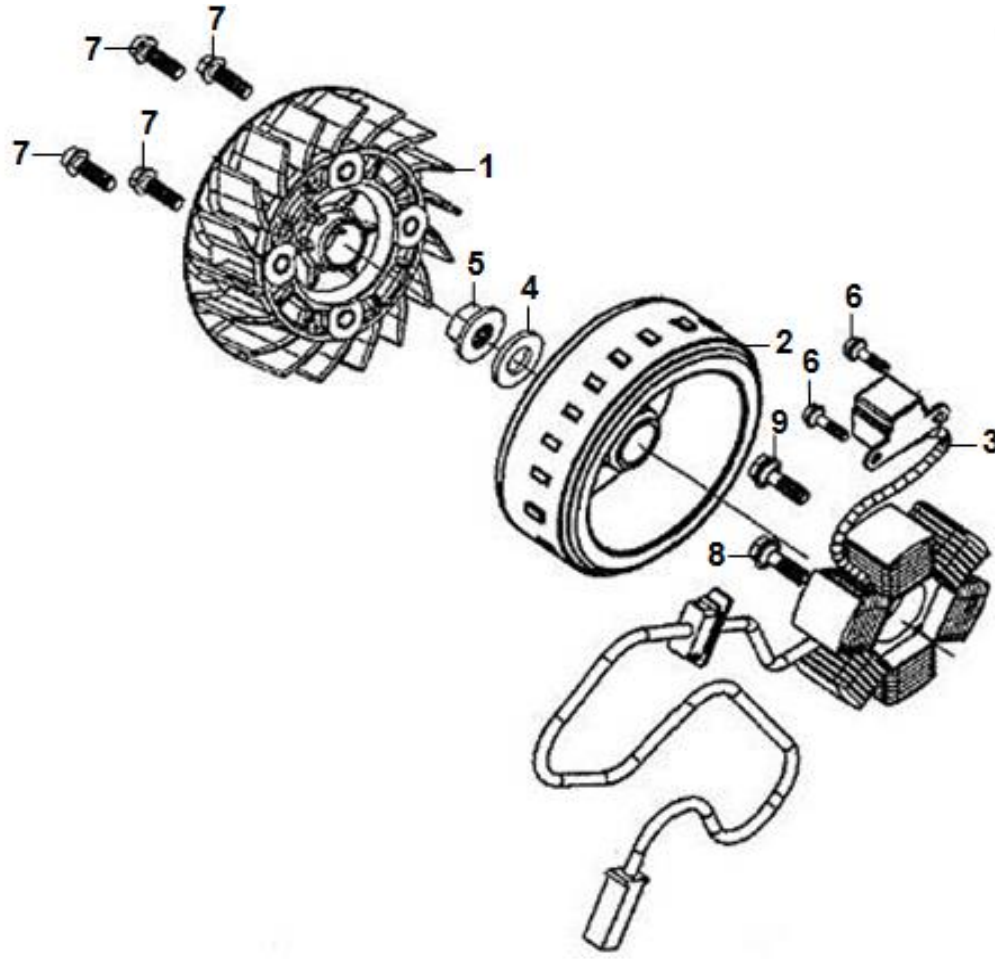


Pictures reference only

NO	PARTS NUMBER	DESCRIPTION	QTY	REMARK
1	11331-ARB-000	R. crank case cover	1	
2	11394-Z2D-000	R. cover gasket	1	
3	12361-M9Q-0000	Tappet adjusting hole cap	1	
4	15421-H66-0000-VN	Oil filter screen	1	
5	15426-M9Q-000	Oil fillter screen SPG.	1	
6	1565A-ARA-000	Oil level gauge	1	
7	32961-ARA-000	ACG cord clamber	1	
8	91302-M9Q-000	O-ring 30.8MM	1	
9	94301-08140	Dowel pin 8*14	2	
10	96001-06100-08	SH flange bolt 6*100	2	
11	96001-06095-08	Flange sh bolt 6*95	6	
12	96001-06030-08	SH. flange bolt 6*30	2	

●Please check the color & stripe information according to the color index !

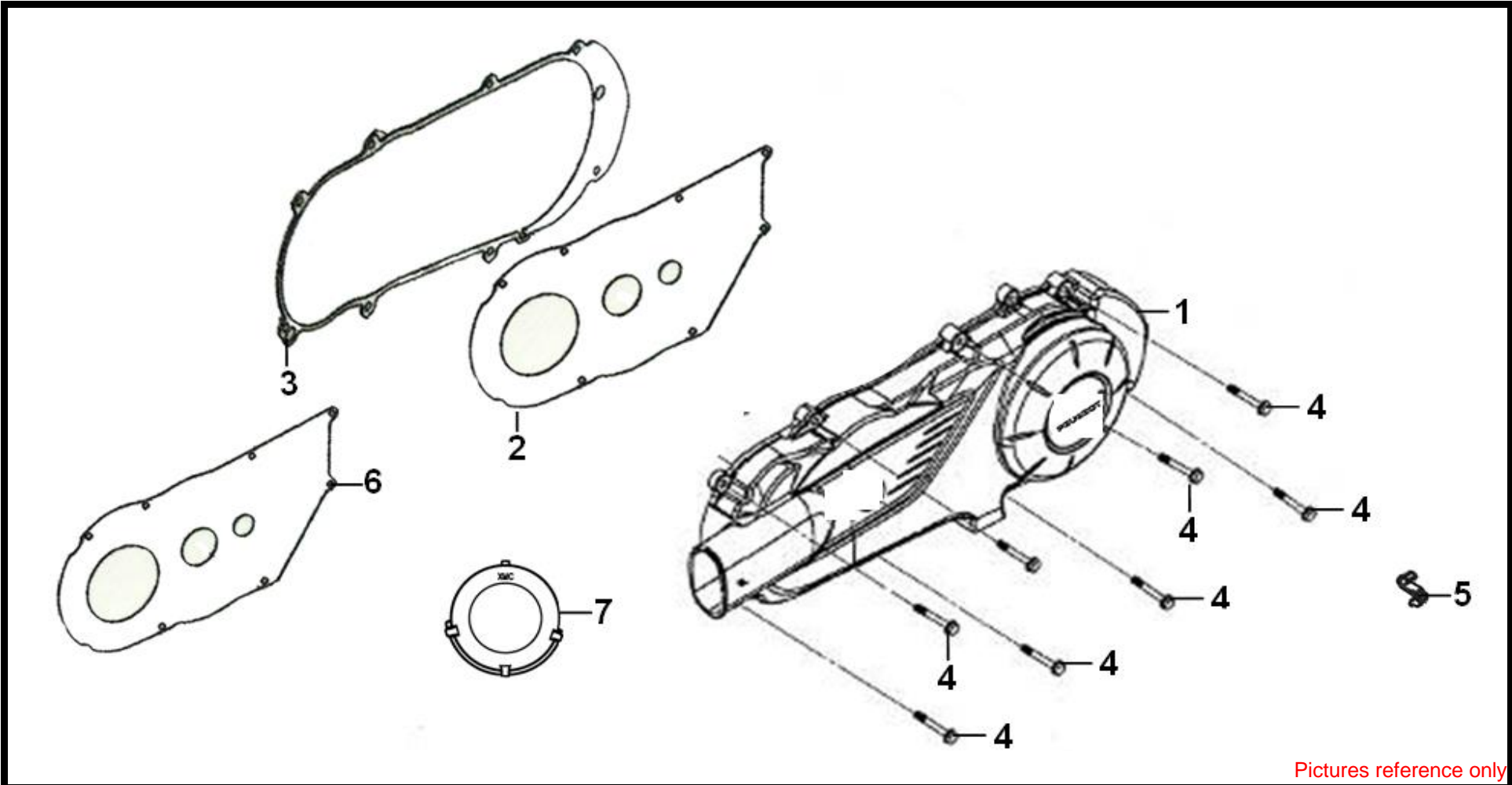
Jul-19



Pictures reference only

NO	PARTS NUMBER	DESCRIPTION	QTY	REMARK
1	19510-GY6-900	Cooling fan COMP.	1	
2	31110-Z5C-010	Flywheel COMP	1	
3	31120-X8A-000	Loop COMP.	1	
4	90440-166-000	Plane gasket 12MM	1	
5	94050-12000	Flange nut 12MM	1	
6	92101-05012-0A	HEX bolt 5*12mm	2	
7	96001-06018-08	Flange bolt 6*18	4	
8	96001-06028-08	SH. flange bolt 6*28	1	
9	96001-06020	SH. flange bolt 6*20	1	

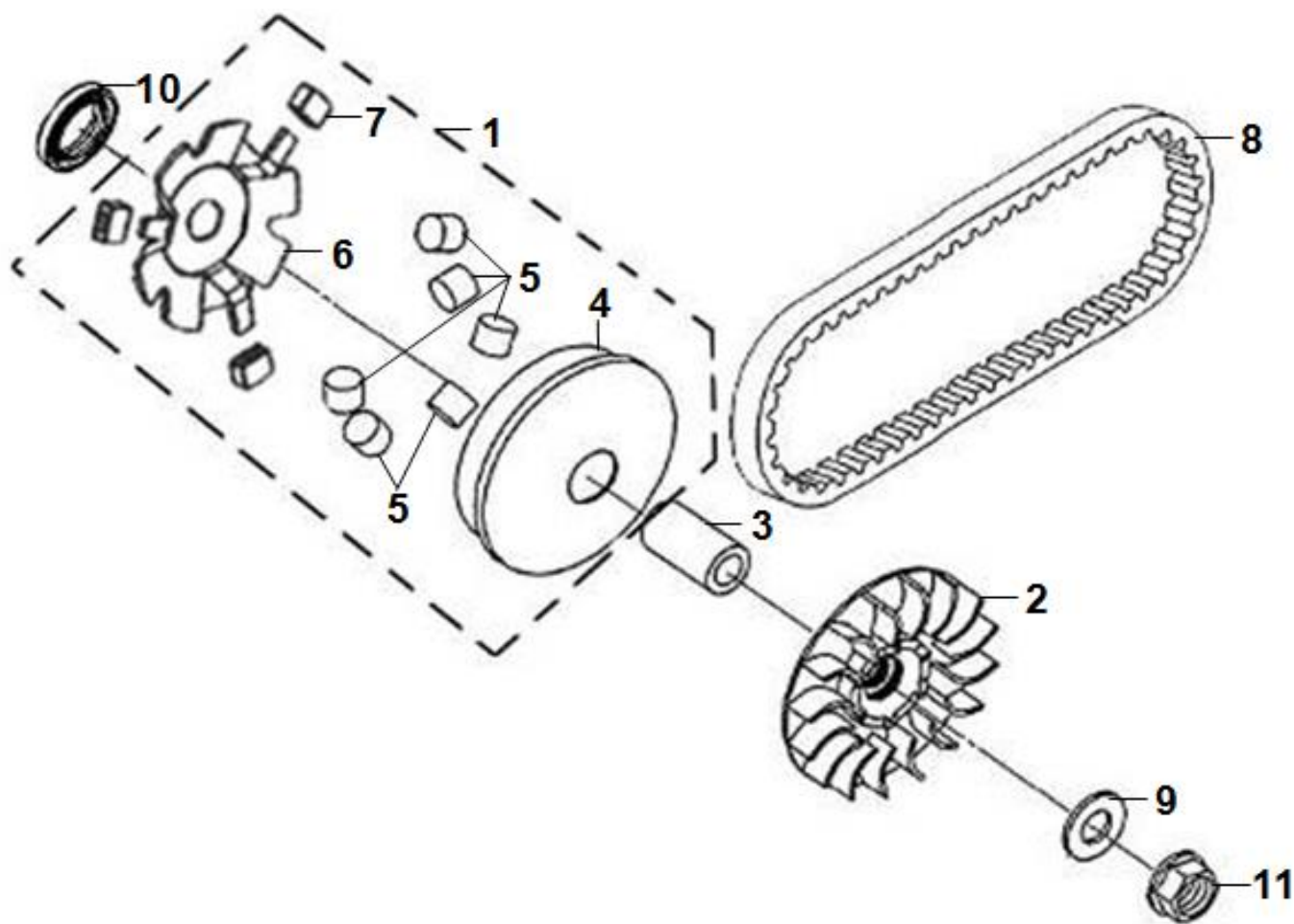
L. CRANK CASE COVER



NO	PARTS NUMBER	DESCRIPTION	QTY	REMARK
1	11341-XMA-020-K1	L. crank case cover	1	
2	11342-ARA-000	L. side cover plate	1	
3	11395-XRB-000	L. side cover gasket	1	
4	96001-06030-00	Flange bolt SH 6*30	8	
5	11382-ARB-000	Brake cable clamber B	1	
6	11343-ARA-000	L. side cover plate gasket	1	
7	11347-XMC-000	Air guide plate	1	

•Please check the color & stripe information according to the color index !

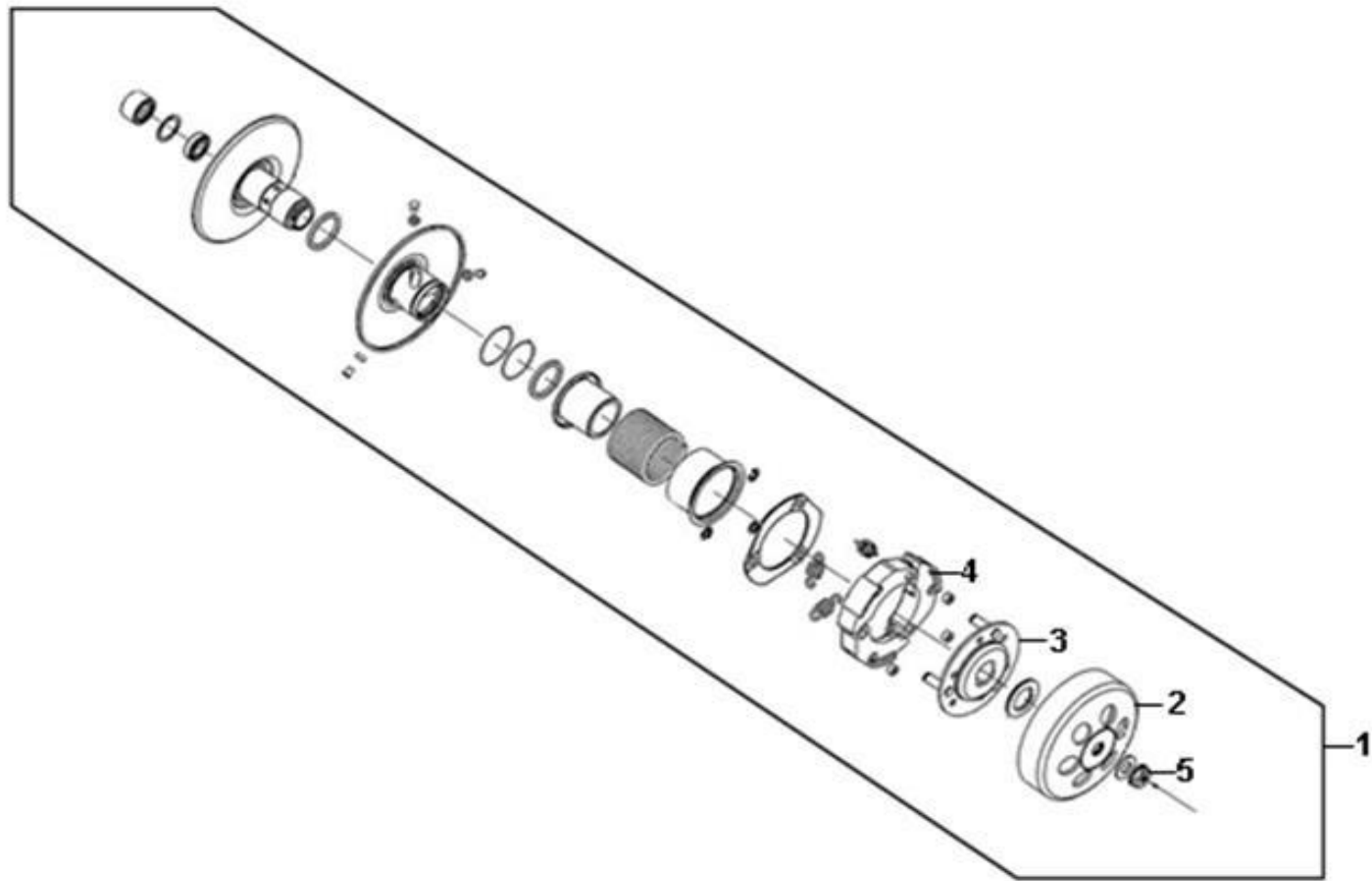
MOVABLE DRIVE FACE ASS'Y



Pictures reference only

NO	PARTS NUMBER	DESCRIPTION	QTY	REMARK
1	2211A-F6C-000	Movable drive face ASSY.	1	
2	22102-M92-000	Drive face COMP.	1	
3	22105-M92-000	Drive face bush	1	
4	22110-H5B-000	Movable drive face COMP.	1	
5	22121-GY6-920-A	Weight roller COMP.	1 SET	6PCS/SET
6	22131-M92-000	Ramp plate	1	
7	22132-ARA-000-A	Slide piece	1	
8	1B01XMA02	Drive belt	1	
9	90440-166-000	Plane washer 12MM	1	
10	91204-HMA-000	Oil seal 25*40*7	1	
11	94050-12000	Flange nut 12MM	1	

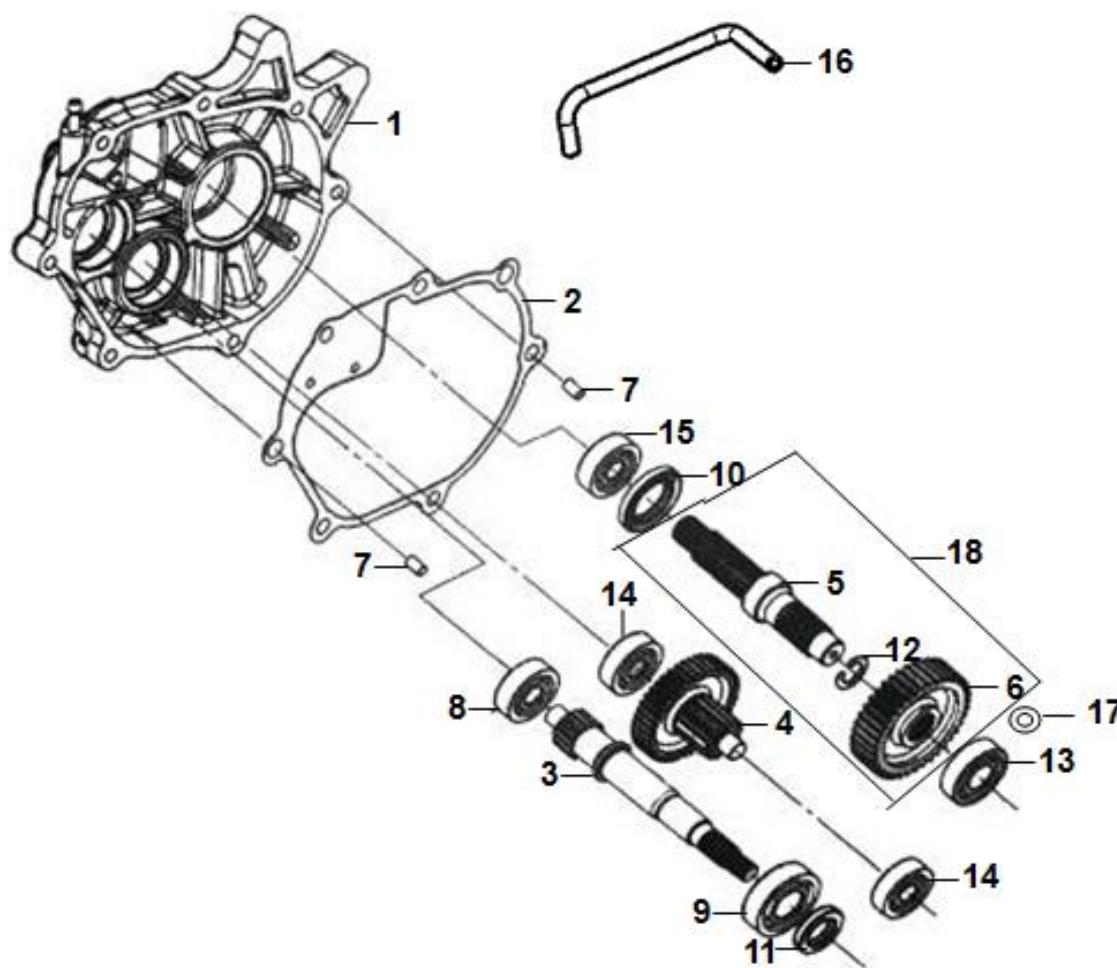
●Please check the color & stripe information according to the color index !



Pictures reference only

NO	PARTS NUMBER	DESCRIPTION	QTY	REMARK
1	2301A-ANT-000	Driven pulley set	1	
2	22101-M9Q-000	Clutch outer	1	
3	22350-HKE-000	Drive plate COMP.	1	
4	22530-F6C-000-A	Clutch weight	1	
5	94050-12000	Flange nut 12MM	1	

MISSION CASE&DRIVE SHAFT

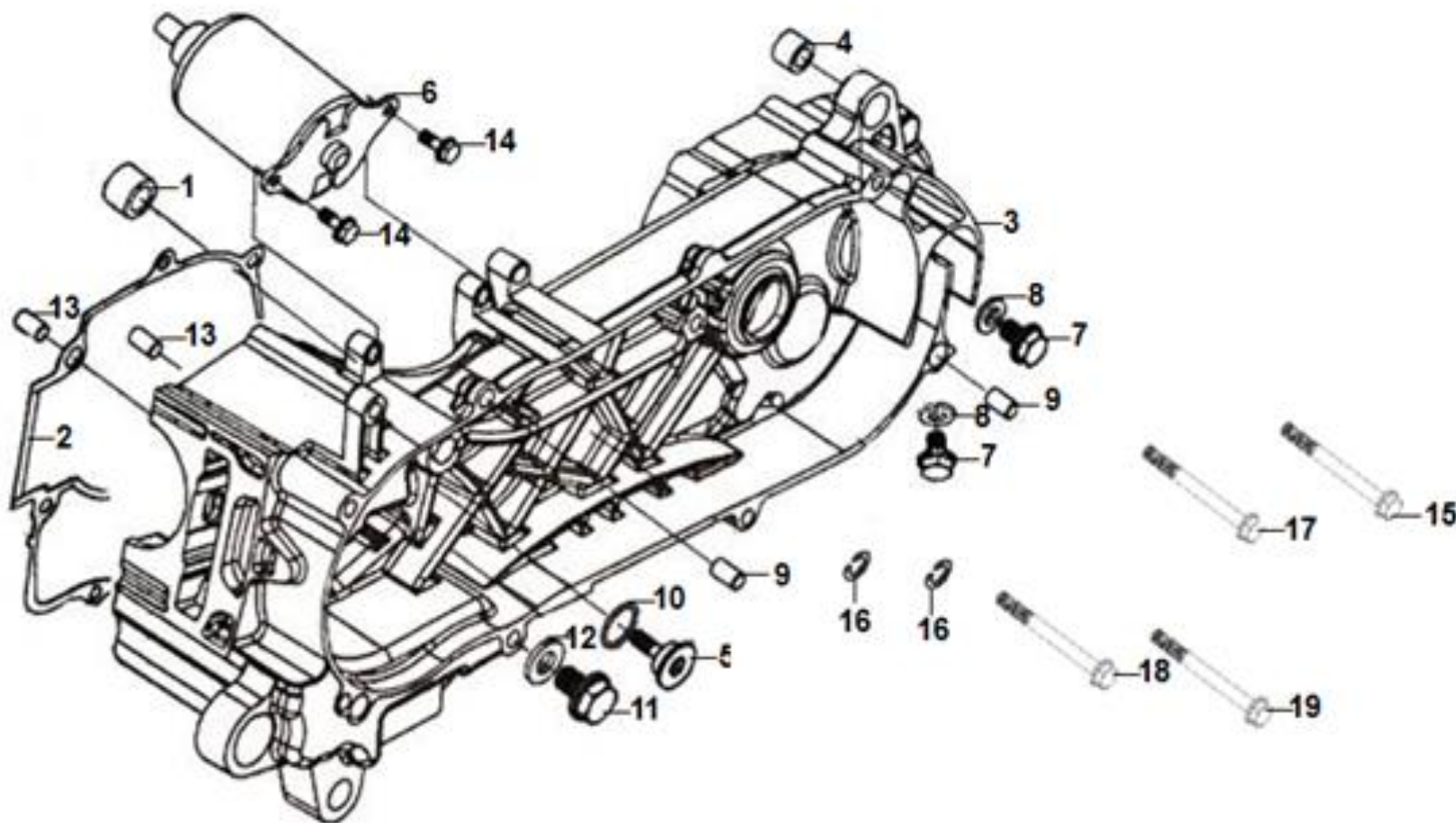


Pictures reference only

NO	PARTS NUMBER	DESCRIPTION	QTY	REMARK
1	21200-A6A-000	Mission case COMP.	1	
2	21395-Z2D-000	Mission cover gasket	1	
3	23411-A61-000	Drive shaft	1	
4	23420-Z7P-010-M1	Counter shaft COMP.	1	
5	23431-AR1-000	Final shaft	1	
6	23432-AR1-000	Final gear	1	
7	90703-M8Q-000	Dowel pin 10*14	2	
8	91003-M8Q-000	Radial ball BRG. CSB301	1	
9	91104-KN7-670	Radial Ball Brg. 6204 TMB	1	
10	91203-A6A-000	Oil seal 34*52*8	1	
11	91202-KJ9-003	Oil seal 20*32*6	1	
12	94510-25000	EX. cir-clip 25MM	1	
13	96120-62030-10	Radial ball BRG. 6203	1	
14	96100-63013-00	Radial ball BRG 6301	2	
15	96150-62050-10	Ball radial bearing 6205	1	
16	11221-ARA-000	Mission breather tube	1	
17	90401-ANL-000	Washer 17*30*1	1	

•Please check the color & stripe information according to the color index !

L. CRANK CASE



Pictures reference only

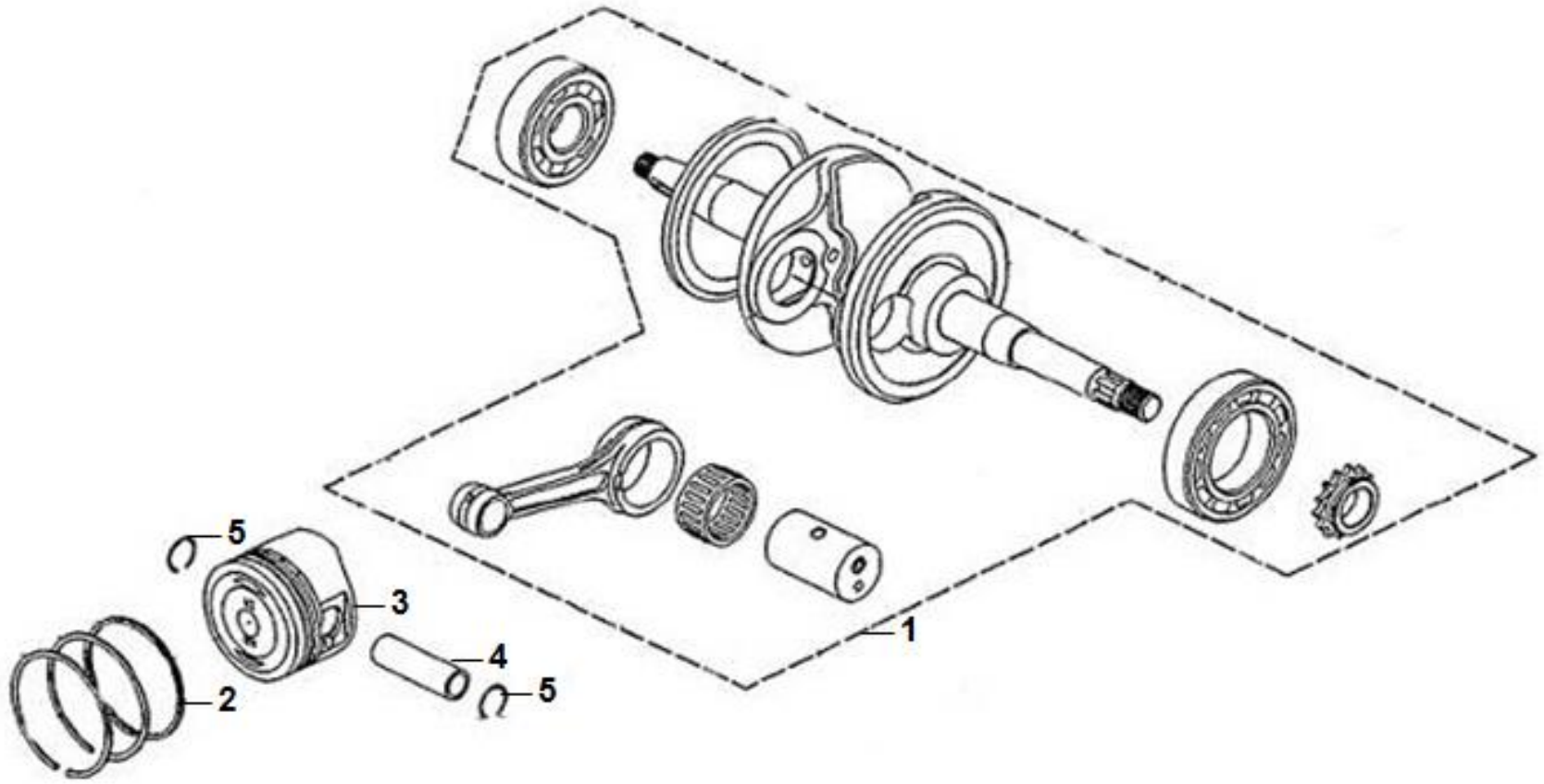
NO	PARTS NUMBER	DESCRIPTION	QTY	REMARK
1	11102-M9Q-3000-L1	ENG. hanger rubber bush	1	
2	11192-XRB-000	R. crank case gasket	1	
3	11200-ARA-000	L. crank case COMP.	1	
4	11203-M9Q-300	RR. CUSH. UN. rubber bush	1	
5	14531-M9Q-000	Cam chain tensioner pivot	1	
6	31200-ARA-000	Start motor ASSY.	1	
7	90103-KN8-000	Special bolt 8MM	2	
8	90474-333-000	Washer 8MM	2	
9	90703-M8Q-000	Dowel pin 10*14	2	
10	91301-GR0-003	O-ring 15.2*1.5	1	
11	92800-12000	Drain plug bolt 12MM	1	
12	94109-12000	Plug drain bolt washer 12mm	1	
13	94301-08140	Dowel pin 8*14	4	
14	96001-06016-08	SH. flange bolt 6*16	2	
15	95701-08068-00	Flange bolt 8*68	1	
16	94591-28000	Clip 2*80	2	
17	95701-08055-00	Flange bolt 8*55	2	
18	95701-08060-00	SH. flange bolt 8*60	1	
19	95701-08065-00	Flange bolt 8*65	3	

●Please check the color & stripe information according to the color index !

Jul-19

E13
CRANK SHAFT

XC20W1-MYC(JET 14 200/X9L)

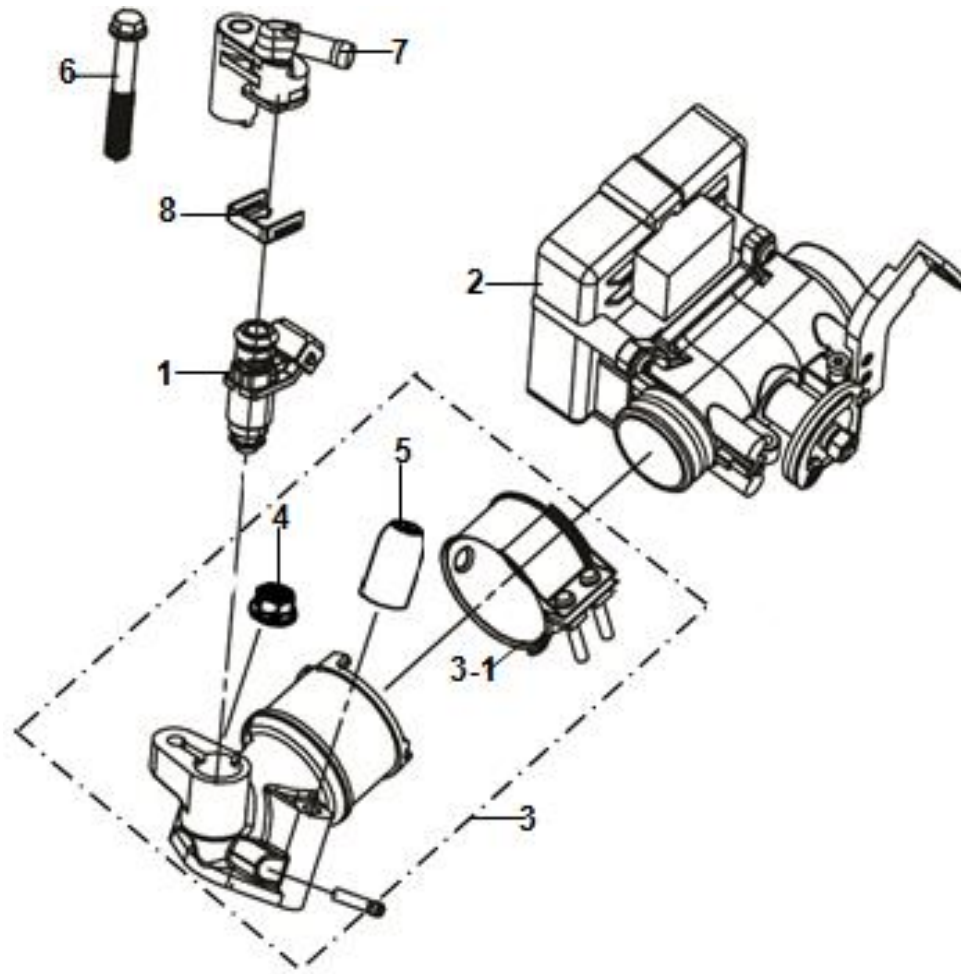


Pictures reference only

NO	PARTS NUMBER	DESCRIPTION	QTY	REMARK
1	13000-XJA-000	Crank shaft COMP	1	
2	13010-VVC-000	Piston ring set	1	
3	13101-XJA-000	Piston	1	
4	13111-M4Q-0000	Piston pin	1	
5	94601-15000	Piston pin clip	2	

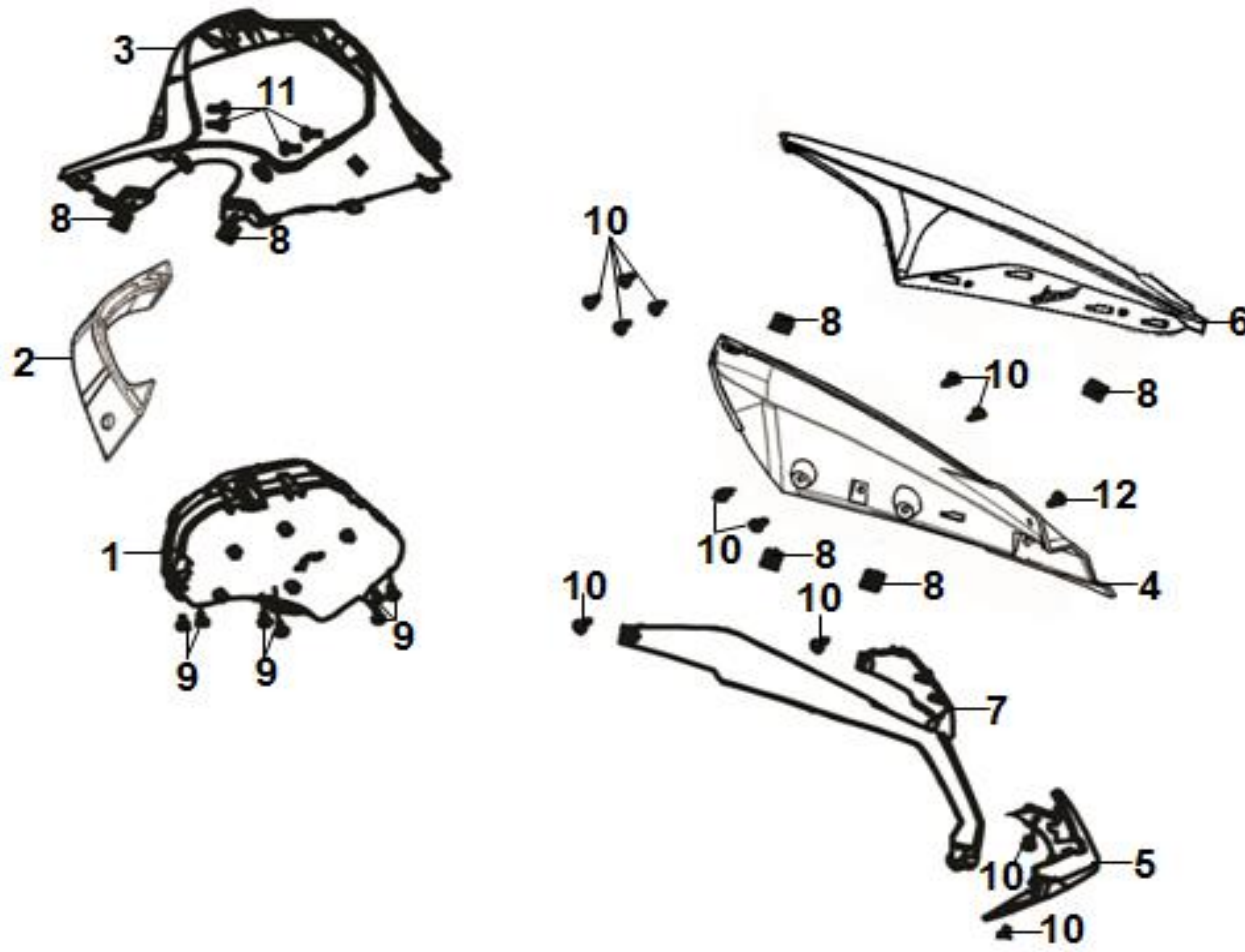
•Please check the color & stripe information according to the color index !

Jul-19



Pictures reference only

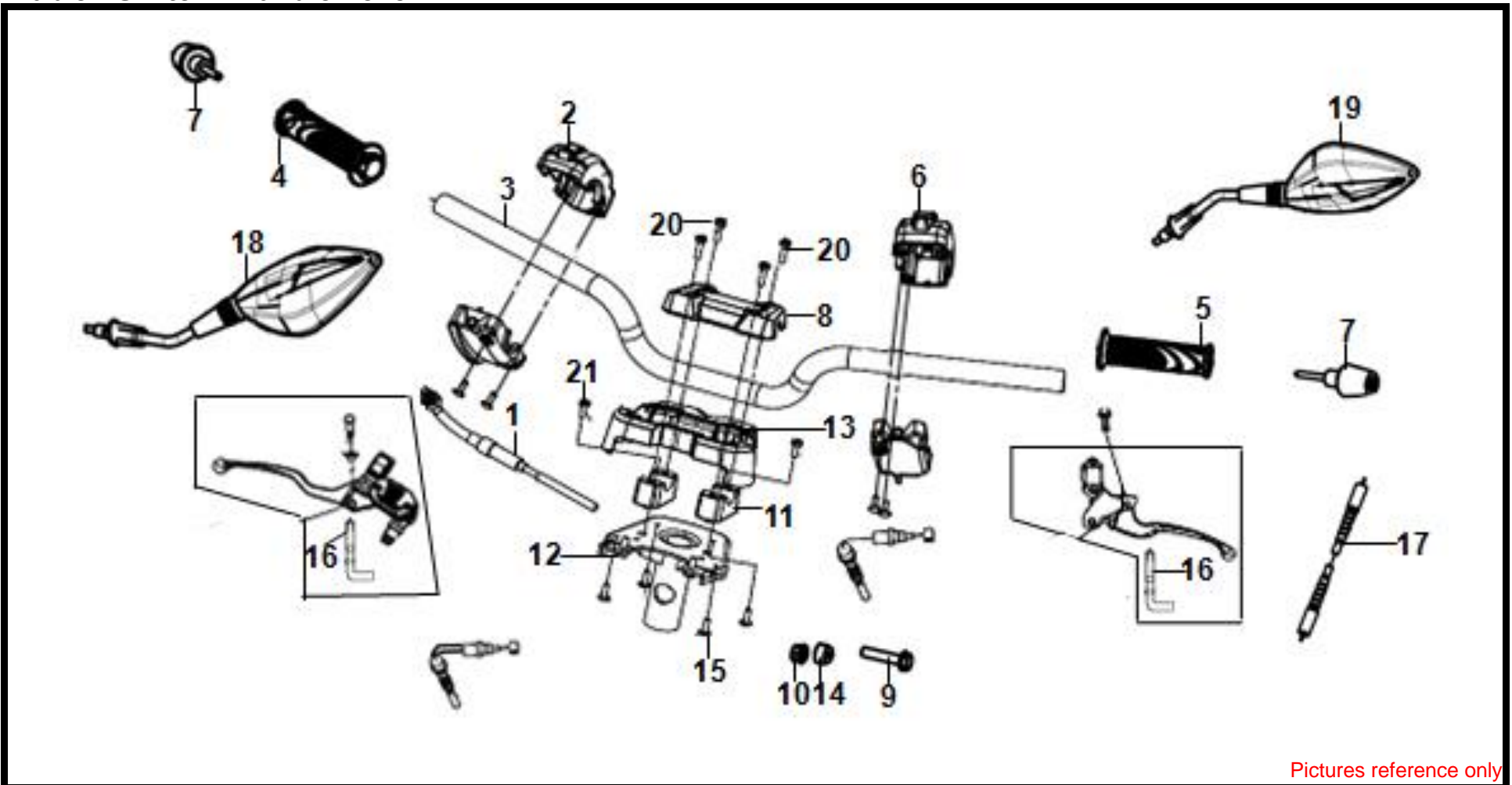
NO	PARTS NUMBER	DESCRIPTION	QTY	REMARK
1	06414-HKK-000	Fuel injector	1	
2	1640A-XMC-000	ECU set	1	
3	1711A-Z7P-000	Inlet pipe ASSY.	1	
3-1	17256-MA1-000	Insulator band	1	
4	94050-06080	Flange nut 6MM	1	
5	90086-MA1-000	Special nut	1	
6	96001-06045-00	SH. flange bolt 6*45	1	
7	17120-XJA-000	Fuel injector cap ASSY.	1	
8	17121-H6Y-000	Fuel injector cap clip	1	



Pictures reference only

NO	PARTS NUMBER	DESCRIPTION	QTY	REMARK
1	37200-X91-900	Speedmeter ASSY	1	
2	53206-X8A-000	Handle down cover B	1	
3	53208-X9B-000	Meter panel	1	
4	53209-X9B-000	Meter visor	1	
5	64303-X8A-000	Head light low cover	1	
6	67100-X8A-000	Wind screen	1	
7	67110-X8A-000-AE	Wind screen garnish	1	
8	90302-SA4-003B	Spring nut 4mm	6	
9	93903-24340	Tapping screw 4*12	6	
10	93903-44340	Tapping screw 4*12	12	
11	93903-45240	Tapping screw 5*12	4	
12	93903-34440	Tapping screw 4*16	1	

Cable • Switch • Handle Lever

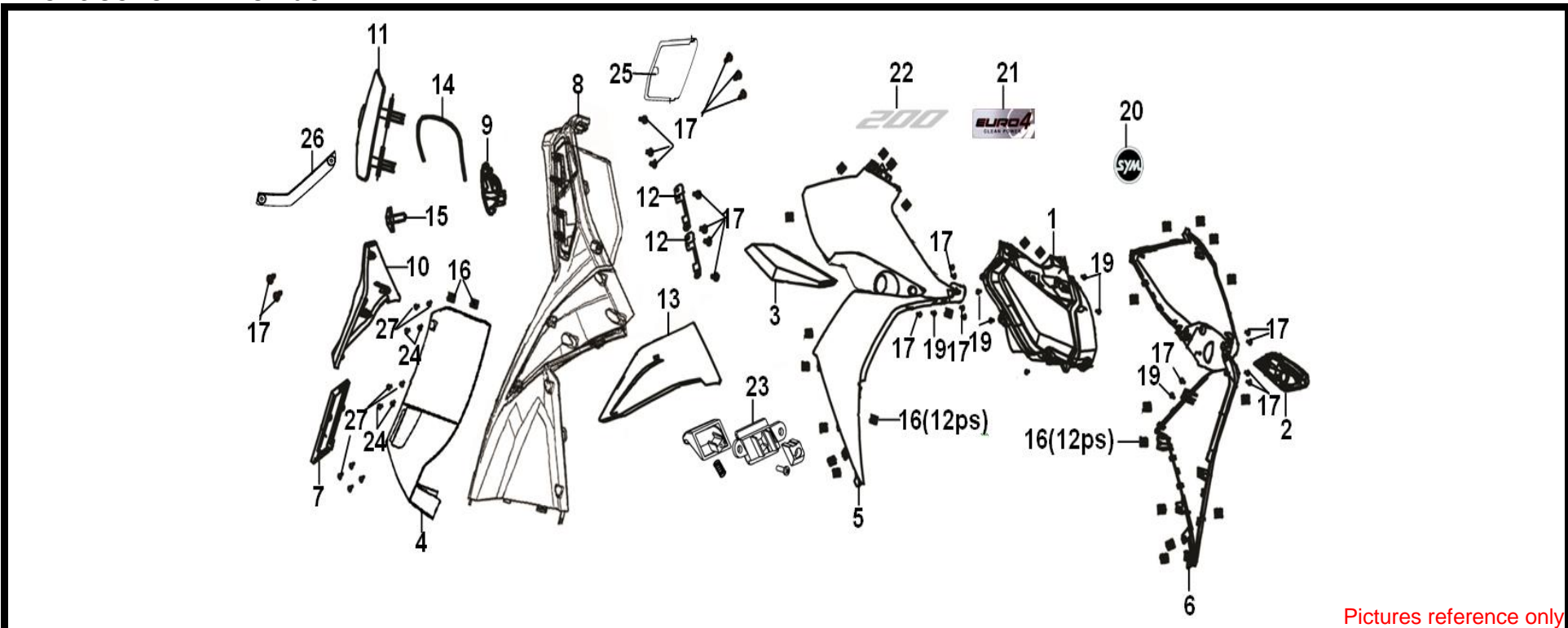


Pictures reference only

NO	PARTS NUMBER	DESCRIPTION	QTY	REMARK
1	17910-X8A-000	Throt cable COMP	1	
2	35150-X8A-000	R. handle SW.	1	
3	53100-X8A-000	STRG. handle	1	
4	53140-XPA-0001-VN	RH. HNDL. grip	1	
5	53166-XPA-0001-VN	LH. HNDL. grip	1	
6	35200-X8A-000	L. handle SW. UNIT	1	
7	53104-ZBC-000	Handle pipe WT.	2	
8	53131-AWU-000-KH	HNDL. pipe up. holder	1	
9	90106-AAA-000	FR. disk bolt	1	
10	90304-AAA-000	Flange. u nut 10mm	1	
11	53132-AWU-000	Handle pipe down hodler	2	
12	53231-X8A-000	Handle pipe holder COMP	1	
13	53205-X8A-000	handle down cover	1	
14	53125-CT1C-A00	HNDL. set collar	1	
15	93903-34340	Tapping screw 4*12	4	
16	35340-ARB-000	Stop SW. ASSY	2	
17	44870-L4C-000	Speedometer cable COMP	1	
18	88110-XPA-000-K	R. RR. back mirror	1	
19	88120-XPA-000-K	L. back mirror	1	
20	96700-06028-49	Socket bolt 6*28	4	
21	96700-08020-02	Socket bolt 8*20	2	

•Please check the color & stripe information according to the color index !

Front cover • Inner box

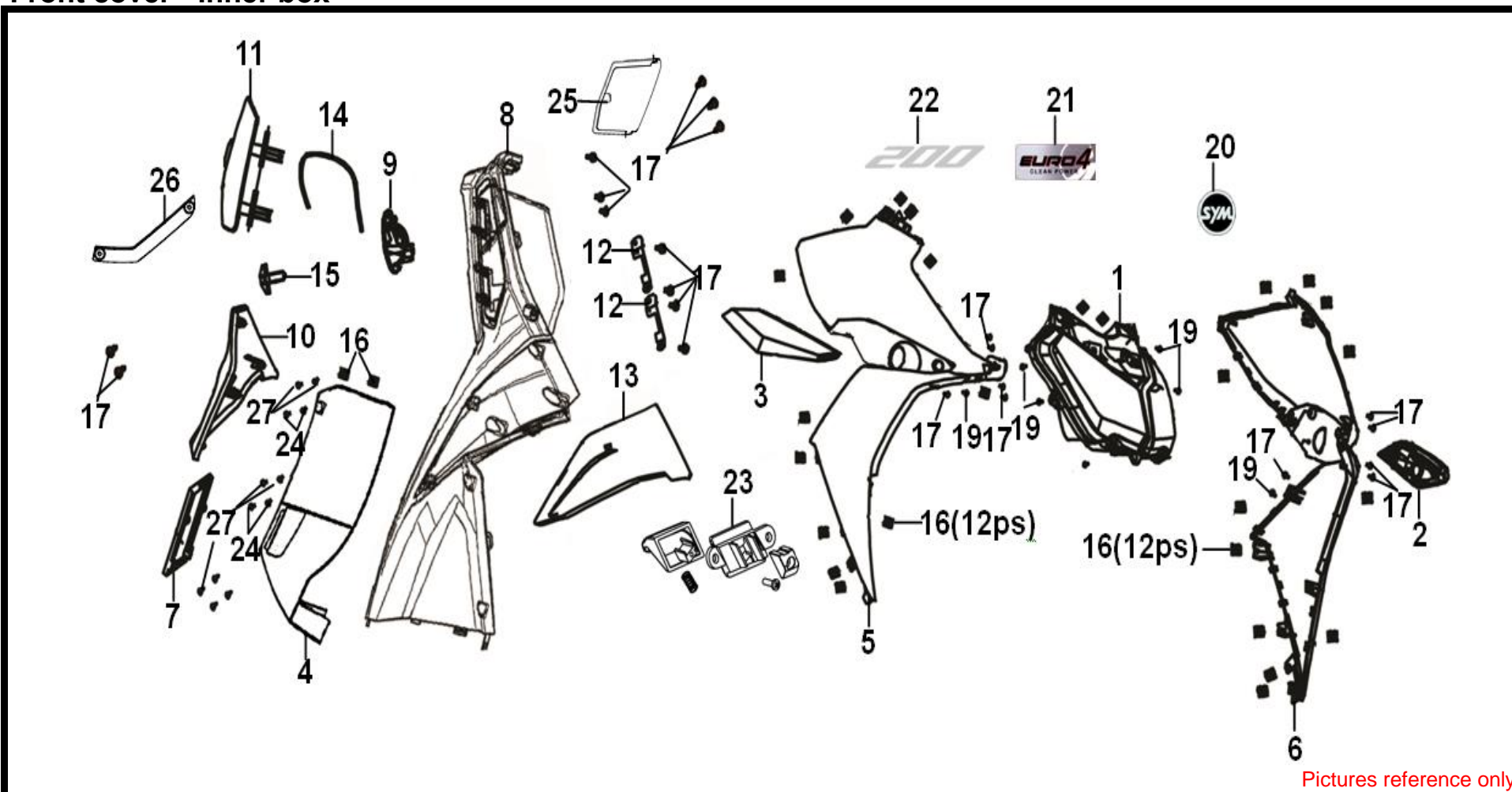


Pictures reference only

NO	PARTS NUMBER	DESCRIPTION	QTY	REMARK
1	33100-X8A-000	Head light ASSY.	1	
2	33450-X8A-000	FR. L. winker ASSY	1	
3	33400-X8A-000	FR. R. winker ASSY	1	
4	64300-X8A-000	FR. UND. cover	1	
5	64301-X8A-000-RD	R FR. COVER(R-010CA)	1	
5	64301-X8A-000-BP	R FR. COVER(BU-289S)	1	
5	64301-X8A-000-WA	R FR. COVER(WH-006)	1	
5	64301-X8A-000-AJ	R FR. COVER(BR-497U)	1	
5	64301-X8A-000-KC	R FR. COVER(BK-007U)	1	
5	64301-X8A-000-AG	R FR. COVER(GY-010U)	1	
6	64302-X8A-000-RD	L FR. COVER(R-010CA)	1	
6	64302-X8A-000-BP	L FR. COVER(BU-289S)	1	
6	64302-X8A-000-WA	L FR. COVER(WH-006)	1	
6	64302-X8A-000-AJ	L FR. COVER(BR-497U)	1	
6	64302-X8A-000-KC	L FR. COVER(BK-007U)	1	
6	64302-X8A-000-AG	L FR. COVER(GY-010U)	1	
7	64318-ALA-000-BK	Frame number lid	1	
8	81131-X8A-900	Inner box	x	stop supply
8	81131-X8A-910	Inner box	1	must pair with 81141-X8A-010
9	81132-X8A-000	Luggage hook	1	
10	81143-X8A-000-AE	LH. Inner box garnish	1	
11	81141-X8A-000	Inner box lid	1	must pair with 81131-X8A-900
11	81141-X8A-010	Inner box lid	1	must pair with 81131-X8A-910
12	81142-X8A-000	Inner box lid garnish	2	
13	81133-X8A-000-AE	RH. Inner box garnish	1	
14	81146-X8A-000	Inner box seal	1	
15	96001-06016-04	SH. flange bolt 6*16	1	
16	90302-SA4-003B	Spring nut 4mm	28	

•Please check the color & stripe information according to the color index !

Front cover • Inner box

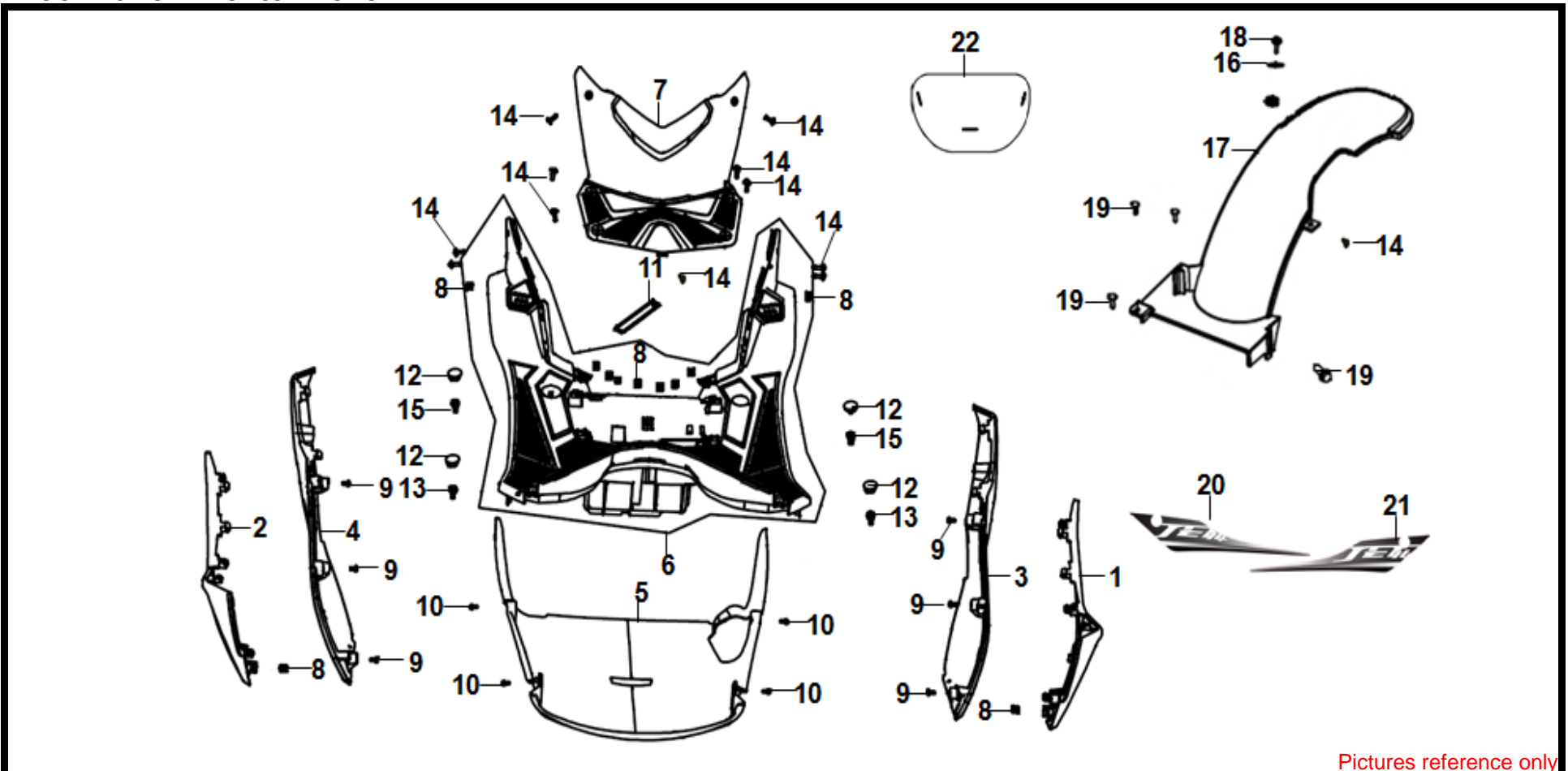


Pictures reference only

NO	PARTS NUMBER	DESCRIPTION	QTY	REMARK
17	93903-34340	Tapping screw 4*12	22	
18	93903-35240	Tapping screw 5*12	2	
19	93903-45240	Tapping screw 5*12	6	
20	87552-L6G-900	FR. cover lid emblem	1	
21	87121-ANT-000	RURO 4 STRIPE	1	
22	87130-X9A-000	R/L.under spoiler stripe	2	
23	8116A-L9M-000-TW	INNER BOX LID LOCK ASS'Y	1	
24	90109-42168	TAPPING SCREW 4.2*16	4	
25	81151-X8A-000	SPLASH BOARD COVER	1	
26	81161-X8A-000	INNER BOX SCREW	1	
27	93903-45340	TAPPING SCREW 5X16	8	

•Please check the color & stripe information according to the color index !

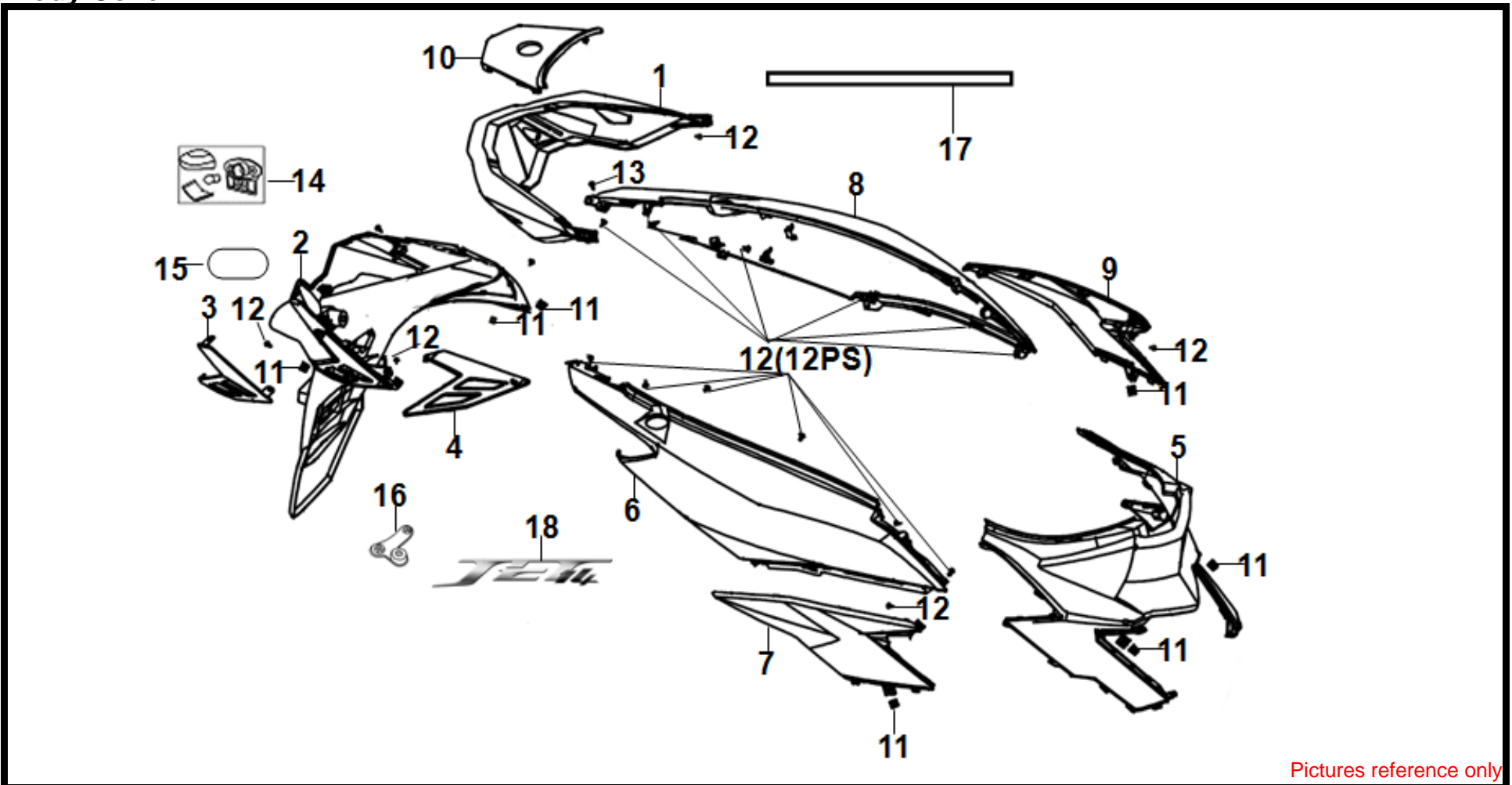
Floor Panel • Center Cover



Pictures reference only

NO	PARTS NUMBER	DESCRIPTION	QTY	REMARK
1	83520-X8A-000	RH. FR. side cover	1	
2	83620-X8A-000	LH. FR. side cover	1	
3	83530-X8A-000-AE	RH. RR. side cover	1	
4	83630-X8A-000-AE	LH. RR. side cover R	1	
5	50611-APA-000	Under cover	1	
6	64310-X8A-000	Floor panel	1	
7	50326-X8A-000	Battery cover	1	
8	90302-SA4-003B	Spring nut 4mm	11	
9	93903-34340	Tapping screw 4*12	6	
10	93404-06016-00	Washer bolt 6*16	6	
11	50324-X8A-000	Battery band	1	
12	50612-APA-000	FLOOR STEP CAP A	4	
13	90111-AAA-000	Flange bolt 6mm (GREEN)	4	
14	90109-42168	Tapping screw 4.2*16	10	
15	93404-06030-07	Washer bolt 6*30	2	
16	64306-X01-0000	Collar	1	
17	80105-X8A-000	RR. mudguard	1	
18	95801-06025-04	Flange bolt 6*25	1	
19	95801-06012-04	Flange bolt 6*12	5	
20	87131-X8A-000-T2	R. side cover stripe(BLACK)	1	
20	87131-X8A-000-T4	R. side cover stripe(COFFE)	1	
21	87132-X8A-000-T2	L. side cover stripe(BLACL)	1	
21	87132-X8A-000-T4	L. side cover stripe(COFFE)	1	
22	80104-ZBC-000	SPLASH BOARD PLATE	1	

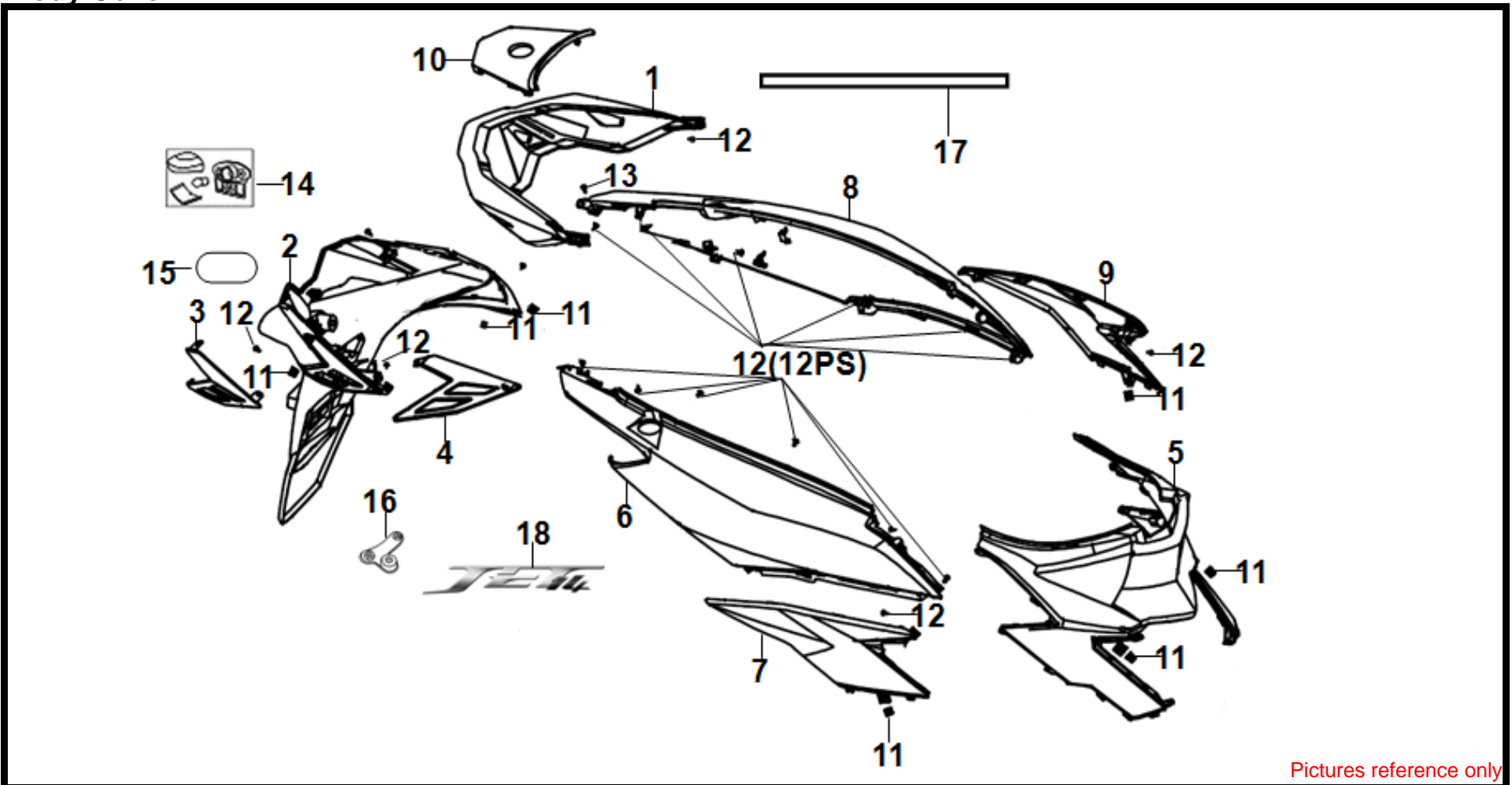
•Please check the color & stripe information according to the color index !



Pictures reference only

NO	PARTS NUMBER	DESCRIPTION	QTY	REMARK
1	33700-X8A-000	Tail light ASSY	1	
2	80100-X8A-000	RR. fender	1	
3	80107-X8A-000	RH. RR. fender garnish	1	
4	80108-X8A-000	LH. RR. fender garnish	1	
5	80151-X8A-000	Center cover	1	
6	83500-X8A-000-RD	R BODY COVER(R-010CA)	1	
6	83500-X8A-000-BP	R BODY COVER(BU-289S)	1	
6	83500-X8A-000-WA	R BODY COVER(WH-006)	1	
6	83500-X8A-000-AJ	R BODY COVER(BR-497U)	1	
6	83500-X8A-000-KC	R BODY COVER(BK-007U)	1	
6	83500-X8A-000-AG	R BODY COVER(GY-010U)	1	
7	83510-X8A-000-AE	R. Body lower cover	1	
8	83600-X8A-000-RD	L BODY COVER(R-010CA)	1	
8	83600-X8A-000-BP	L BODY COVER(BU-289S)	1	
8	83600-X8A-000-WA	L BODY COVER(WH-006)	1	
8	83600-X8A-000-AJ	L BODY COVER(BR-497U)	1	
8	83600-X8A-000-KC	L BODY COVER(BK-007U)	1	
8	83600-X8A-000-AG	L BODY COVER(GY-010U)	1	
9	83610-X8A-000-AE	L. Body lower cover	1	

●Please check the color & stripe information according to the color index !

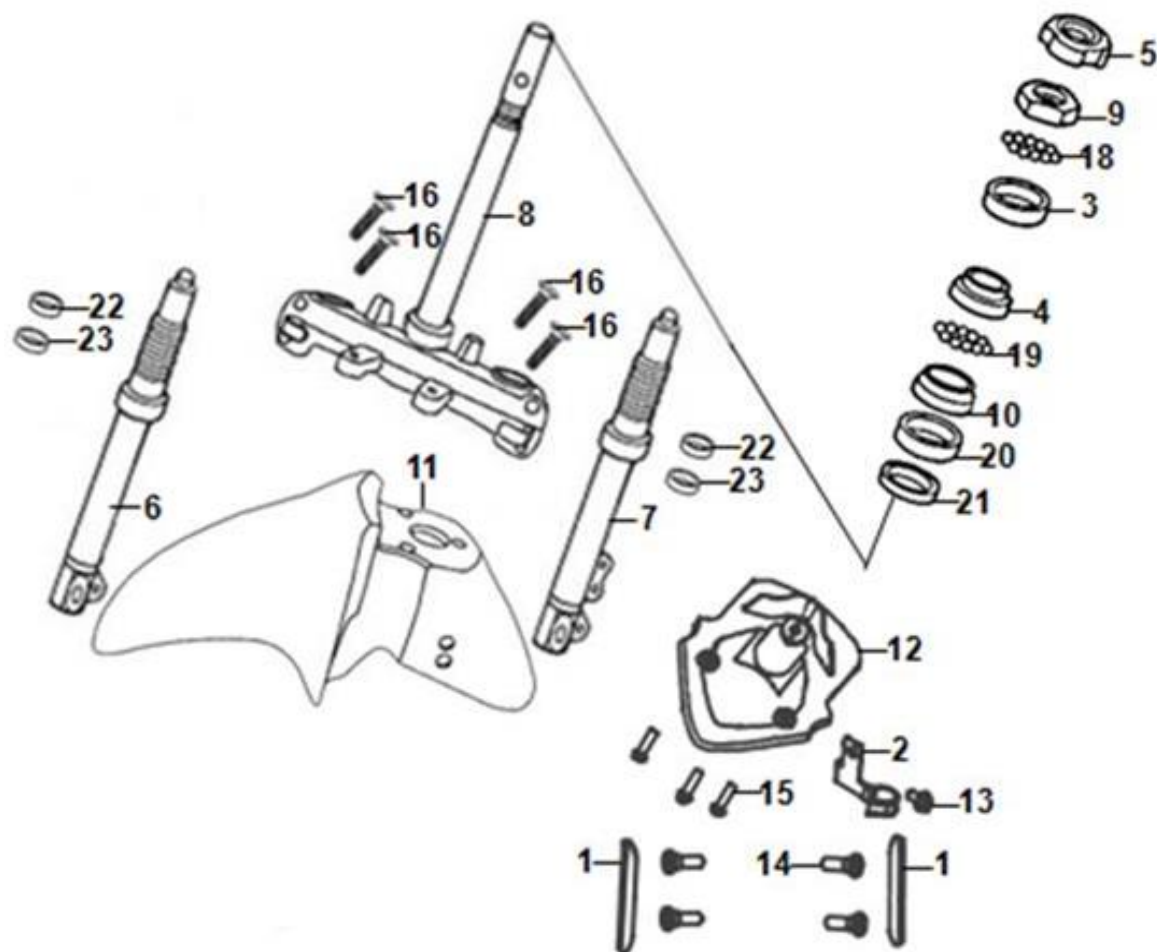


Pictures reference only

NO	PARTS NUMBER	DESCRIPTION	QTY	REMARK
10	83650-X8A-000-RD	RR center cover(R-010CA)	1	
10	83650-X8A-000-BP	RR center cover(BU-289S)	1	
10	83650-X8A-000-WA	RR center cover(WH-006)	1	
10	83650-X8A-000-AJ	RR center cover(BR-497U)	1	
10	83650-X8A-000-KC	RR center cover(BK-007U)	1	
10	83650-X8A-000-AG	RR center cover(GY-010U)	1	
11	90302-SA4-003B	Spring nut 4mm	8	
12	93903-34340	Tapping screw 4*12	17	
13	93903-44340	Tapping screw 4*12	1	
14	33740-Z6A-000	License light	1	
15	33741-N7B-E10	RR. reflector	1	
16	80106-ARA-000	RR. Mudguard plate	1	
17	80103-ARA-000	Body cover rubber	1	
18	87128-X8A-000	Body cover emblem	2	

●Please check the color & stripe information according to the color index !

Steering Stem • Front Cushion



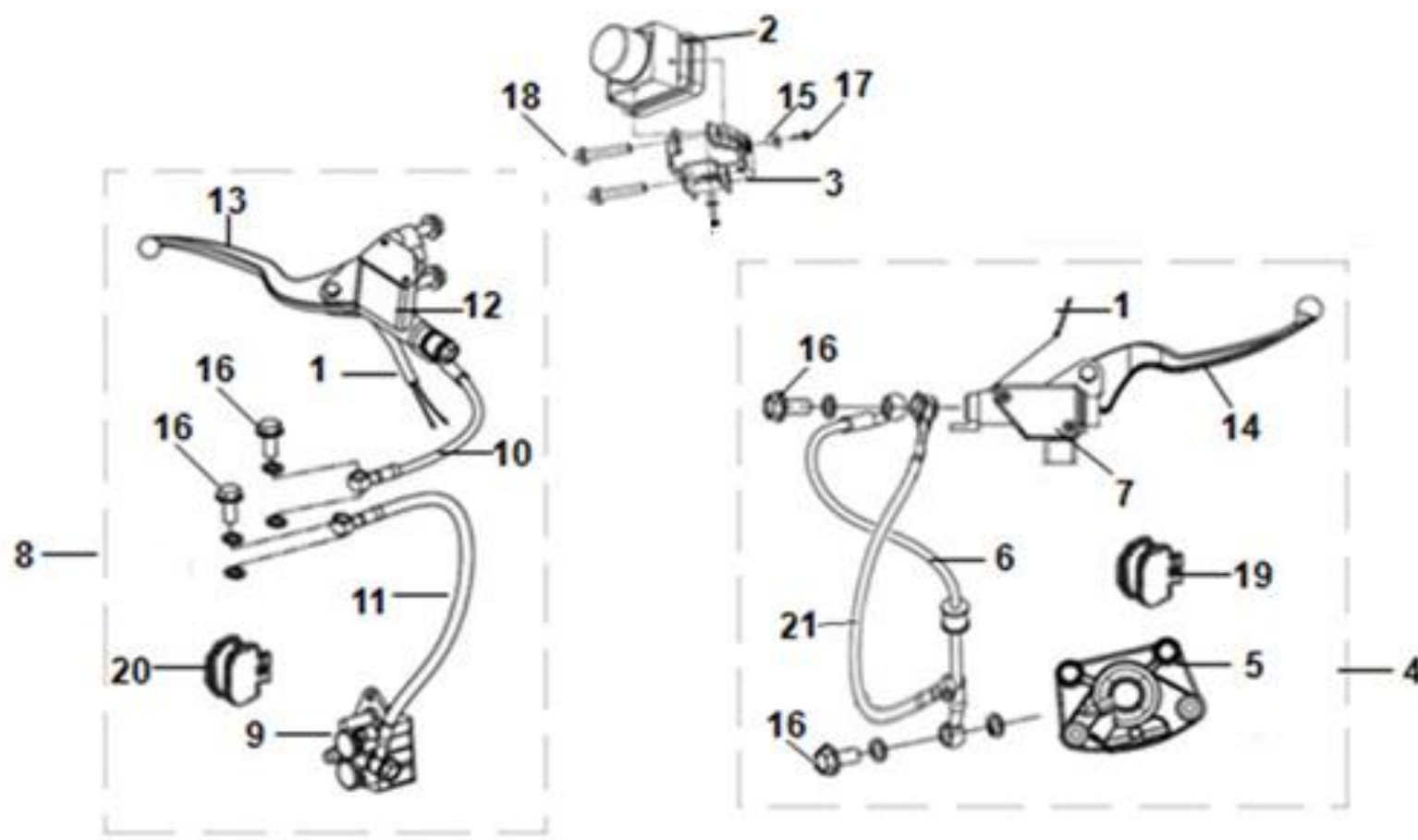
Pictures reference only

NO	PARTS NUMBER	DESCRIPTION	QTY	REMARK
1	33742-X8A-000	Side reflector	2	
2	45156-AAA-000	FR brake hose clamp	1	
3	50301-M9Q-0002	STRG. up race ball	1	
4	50302-M9Q-0000	Ball race	1	
5	50306-M9Q-0000	STRG. stem lock nut	1	
6	51400-X8A-000-K	FR. RH. cushion ASSY	1	
7	51500-X8A-000-K	FR. LH. cushion ASSY	1	
8	53200-X8A-000	Steering stem COMP	1	
9	53211-M9Q-000-CN2	STRG. top cone race	1	
10	53212-M9Q-0000	Race cone	1	
11	61100-X8A-000-K	FR. fender	1	
12	61110-X8A-000	FR. inner mudguard	1	
13	90115-G02-000	Flange bolt 6*16	1	
14	90164-AAA-000	Special screw 6mm (GREEN)	4	
15	95801-06012-04	Flange bolt 6X12	3	
16	95801-08040-04	Flange bolt 8X40	4	
18	50303-AAA-000	Up steel balls and retainer ASSY	1	
19	50304-AAA-000	Lower steel balls and retainer ASSY	1	
20	53214-M9Q-0000	STRG. head dust seal	1	
21	53215-M9Q-0000	STRG. head dust seal washer	1	
22	51403-APA-000	Oil seal	2	
23	51404-APA-000	Dust seal	2	

•Please check the color & stripe information according to the color index !

F07
ABS Brake System ASSY

XC20W1-MYC(JET 14 200/X9L)

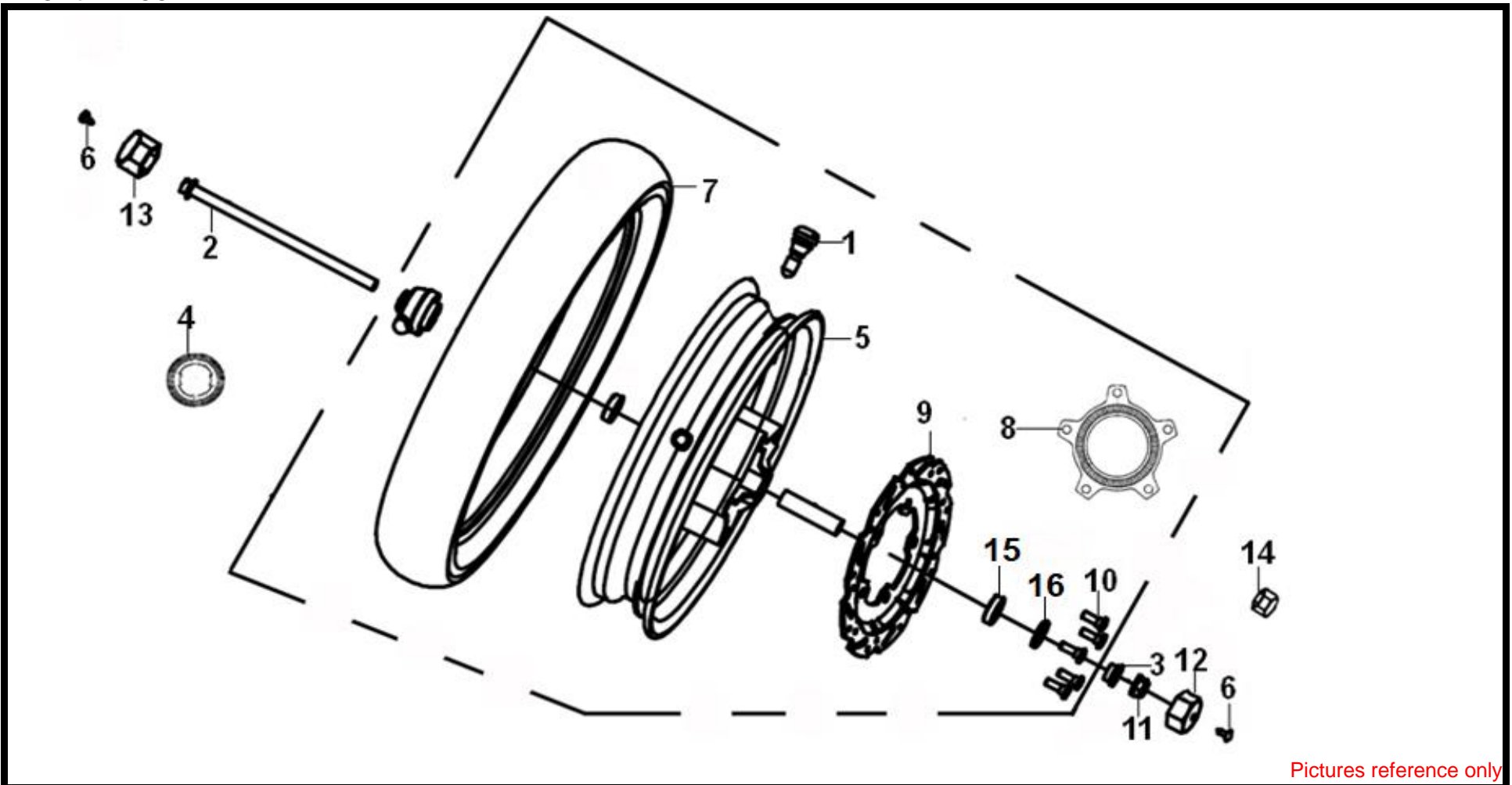


Pictures reference only

NO	PARTS NUMBER	DESCRIPTION	QTY	REMARK
1	35342-AE1-000	FR stop SW cord COMP.	2	
2	38730-XMC-000	ABS. hydraulic circuit unit(fill)	1	
3	38731-XMC-000	ABS hydraulic circuit unit support	1	
4	4350A-X9A-000	RR brake ASSY(CALIPER SILVER)	1	
5	43100-XJA-000	RR. caliper ASSY	1	
6	43126-ZAG-000	RR. brake hose COMP	1	
7	43500-ARB-010	RR. M/C ASSY	1	
8	4550A-X9A-000	FR brake ASSY	1	
9	4510A-X9A-000	FR lower brake COMP	1	
10	45124-XMC-000	FR brake hose A COMP.	1	
11	45125-X9A-000	FR brake hose B COMP.	1	
12	4550B-X9A-000	FR up brake COMP	1	
13	53175-T6V-000	R. lever STRG. handle	1	
14	53178-ARB-010	L. STRG. handle lever	1	
15	61201-B9A-000	FR. fender collar	2	
16	90145-M9Q-000	Oil bolt 10*22	4	
17	95801-06018-04	Flange bolt 6*18	2	
18	95801-08045-04	Flange bolt 8X45	2	
19	43105-ARB-000-A	RR.brake pad A	1	
20	45105-APA-000-A	FR.brake pad B	1	
21	43125-X93-000	RR BRAKE HOSE B COMP.	1	

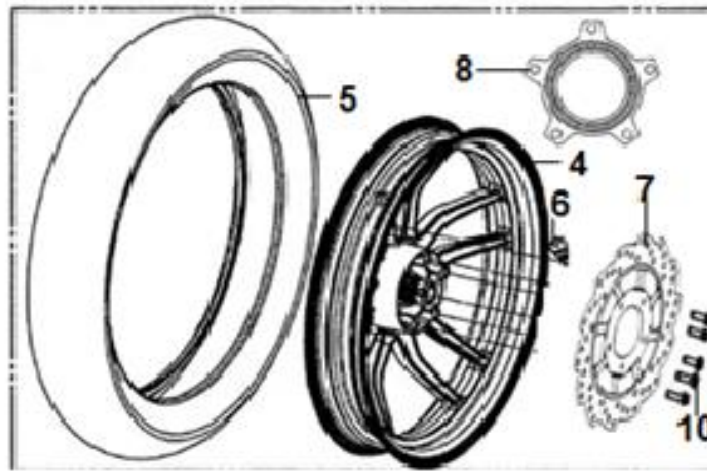
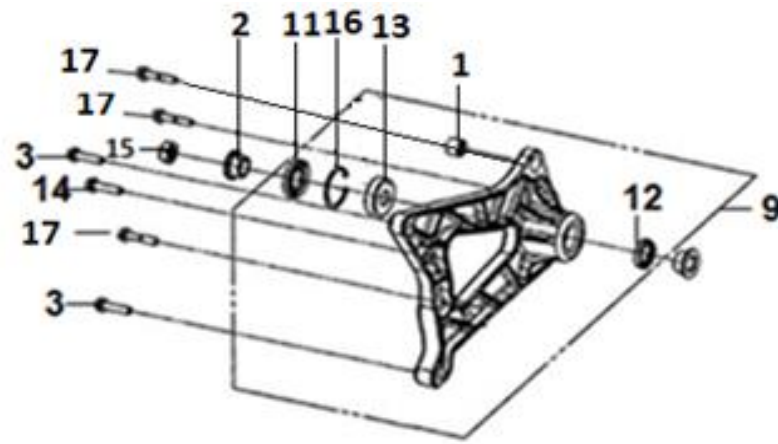
•Please check the color & stripe information according to the color index !

Jul-19



NO	PARTS NUMBER	DESCRIPTION	QTY	REMARK
1	42753-ABA-000	Rim valve	1	
2	44301-APG-900	FR. wheel axle	1	
3	44311-GW0-910	Collar FR. wheel side	1	
4	91258-M9Q-000-M2	Speedometer gear box seal	1	
5	44600-X9A-000	FR.wheel COMP	1	
6	93600-04010-04	Flat screw 4*10	2	
7	44710-X8A-000	FR. tire	1	
8	45120-XMC-000	FR ABS detective disk	1	
9	45121-XMC-000	FR. brake disk	1	
10	90106-N02-0002	FR. DISK BOLT	5	
11	90306-X11-000	Self lock nut 12MM	1	
12	44314-N7B-E10	L. FR. wheel axle rubber	1	
13	44315-N7B-E10	R. FR. wheel axle rubber	1	
14	44312-ZBC-000	FR. Wheel L. Side collar	1	
15	90912-M9Q-000-M1	BEARING 6201LU/2A	2	
16	90754-M9Q-000	DUST SEAL 20X32X5	2	

●Please check the color & stripe information according to the color index !

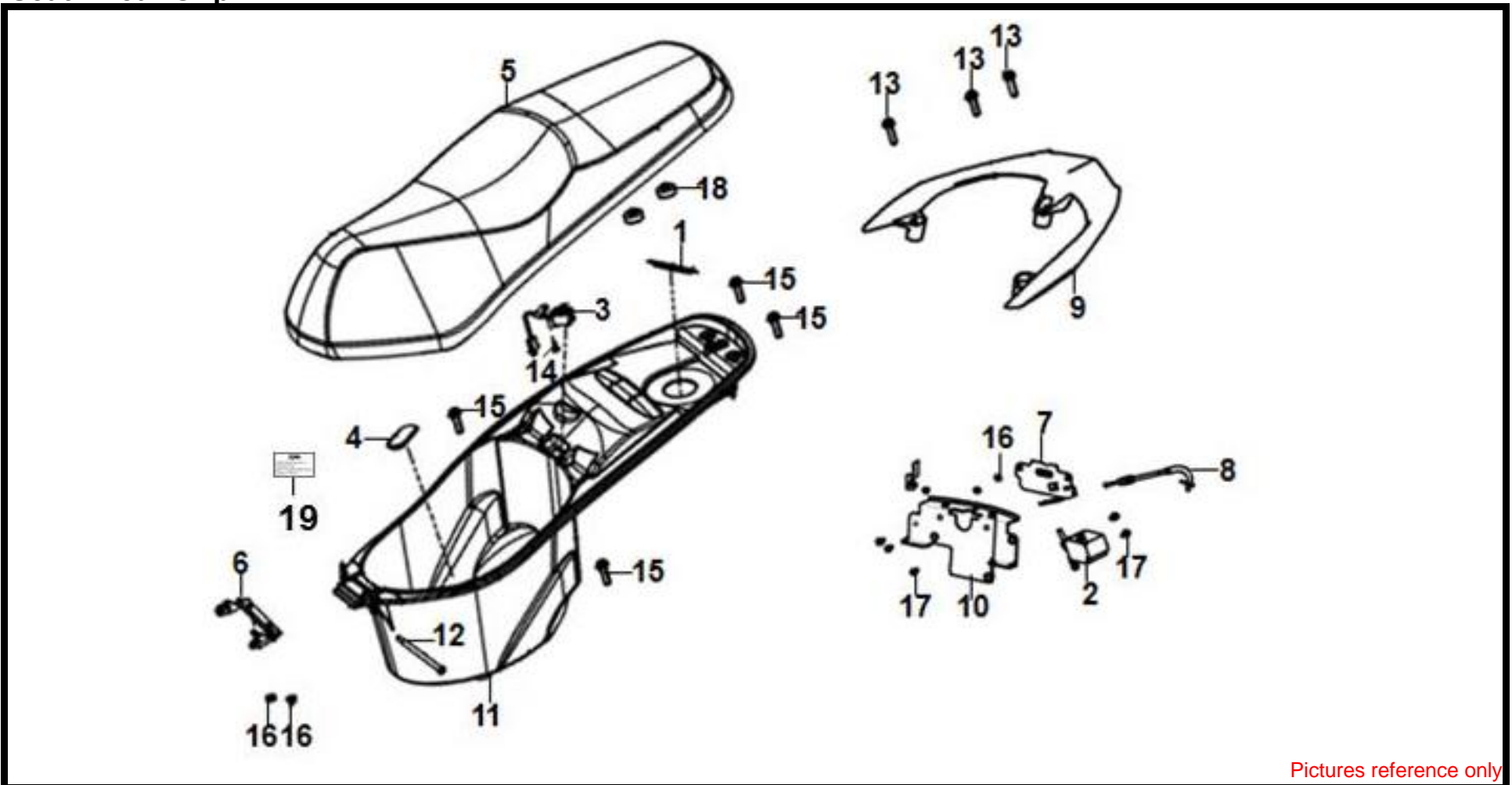


Pictures reference only

NO	PARTS NUMBER	DESCRIPTION	QTY	REMARK
1	11203-M9Q-300	RR. Cush. Un Rubber Bush	1	
2	42311-H9A-000	RR. axle collar	1	
3	95801-08045-04	Flange bolt 8*45	2	
4	42601-X9A-000	RR. cast wheel COMP	1	
5	42710-X8A-000	RR. tire	1	
6	42753-ABA-000	Rim vavle	1	
7	43121-XJA-000	RR. brake disk(silver)	1	
8	43120-XJE-000	RR ABS detective disk	1	
9	5210A-ARB-000	RR. fork ASSY	1	
10	90106-N02-0002	FR. DISK BOLT	5	
11	90754-H9A-000	Dust seal 26*47*7	1	
12	90755-ARB-000	Dust seal 26*36*7	1	
13	96150-63033-10	Ball radial bearing	1	
14	95801-08035-04	Flange bolt 8*35	1	
15	90305-AAA-000	Self-lock nut 16MM	1	
16	94524-47000	Circlip. IN 47	1	
17	95801-08064-07	Flange bolt 8*64	3	

F10
Seat • Rear Grip

XC20W1-MYC(JET 14 200/X9L)

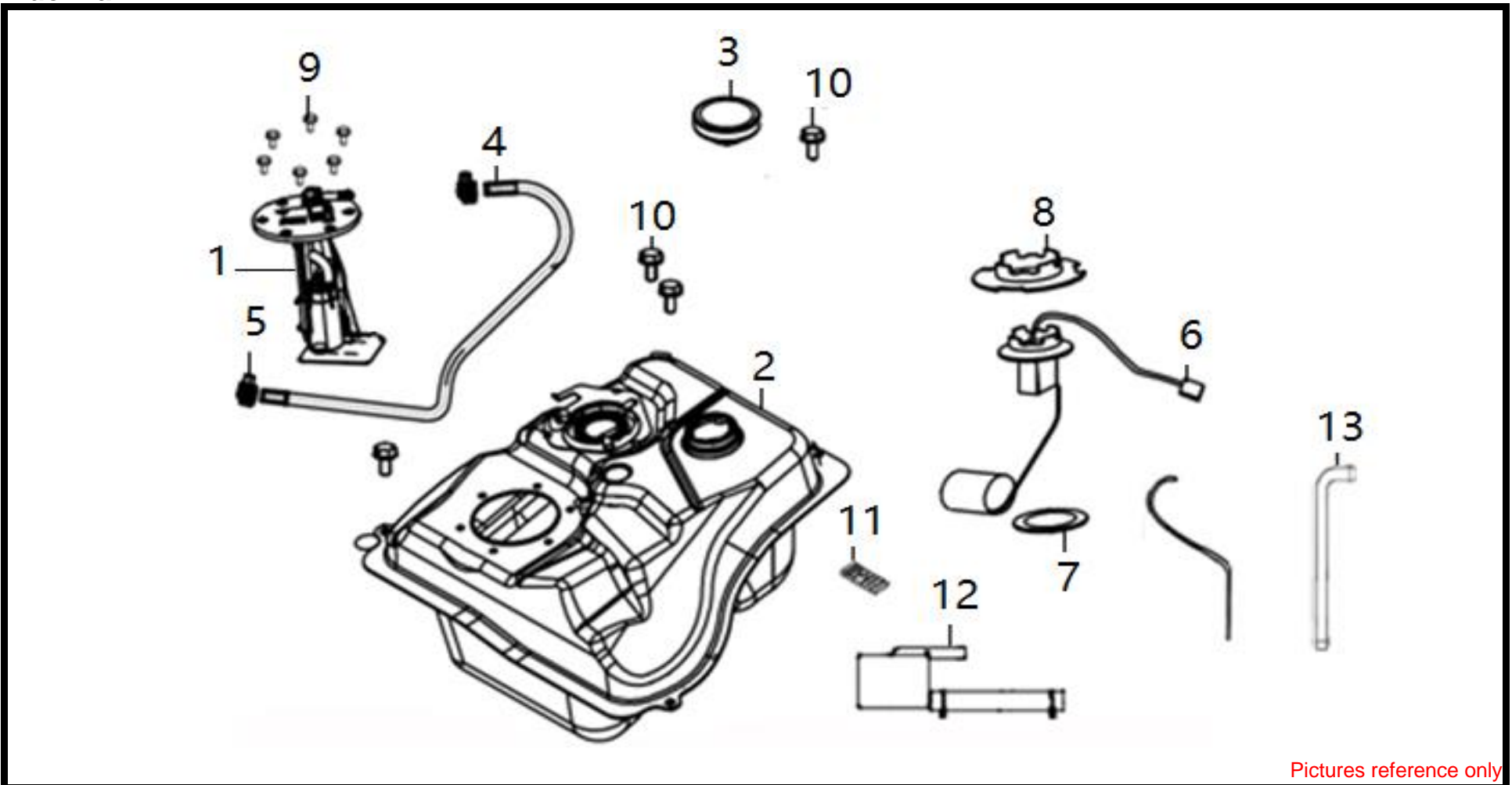


Pictures reference only

NO	PARTS NUMBER	DESCRIPTION	QTY	REMARK
1	17506-XPA-000	Fuel guide rubber	1	
2	35870-HLA-000	Dc SOL. ASSY	1	
3	36600-A1A-010	Eng. Start control SW.	1	
4	70529-APA-000	Carb maint rubber	1	
5	77200-X8A-000-C	Double seat comp	1	
6	77201-AAA-000	Seat hinge comp.	1	
7	77230-APA-000-C	Seat catch comp.	1	
8	77240-XPA-000	Seat lock cable	1	
9	81200-X8A-000-K	RR. Carrier	1	
10	81207-XPA-000	Seat catch stay	1	
11	81250-XPA-000	Luggage box	1	
12	90105-HHA-000	Seat hing screw	1	
13	90106-B9A-000	Special bolt 8mm	3	
14	93903-44340	Tapping screw 4*12	1	
15	90115-ATA-000	Bolt hndl lever pivot	4	
16	94050-06040	Flange nut 6mm	5	
17	95701-06012-04	Flange bolt 6*12	5	
18	50352-ADB-000	Link stopper rubber	2	
19	87145-U43-000	EU Representative Marking Sticker	1	

•Please check the color & stripe information according to the color index !

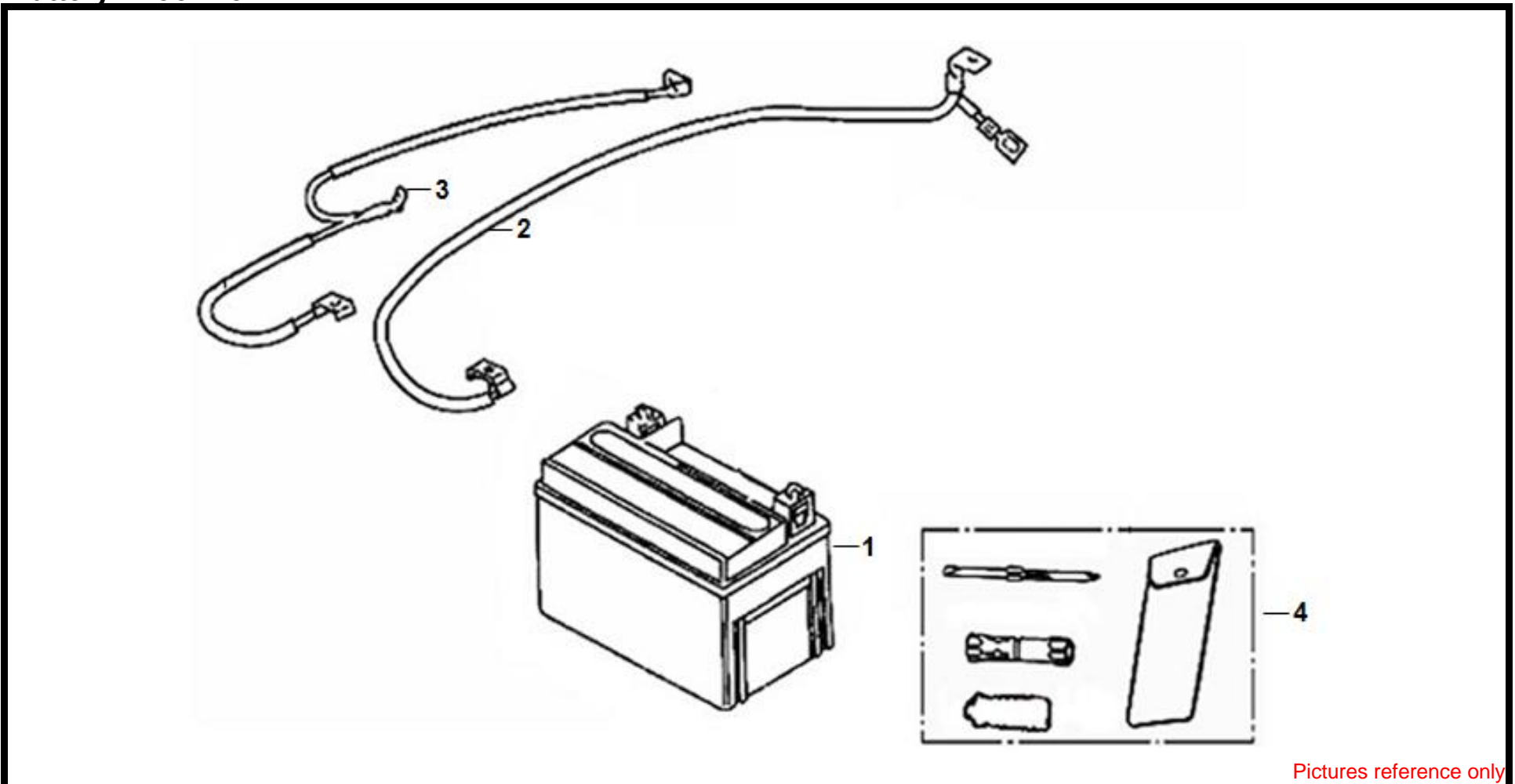
Jul-19



Pictures reference only

NO	PARTS NUMBER	DESCRIPTION	QTY	REMARK
1	16700-XMA-0003-CN2	Fuel pump comp.	1	
2	17500-XMB-000	Fuel tank comp.	1	
3	17620-XH1-020	Fuel filter cap comp	1	
4	17682-X8A-000	Fuel strainer hose	1	
5	19505-H5D-000-TW	Hose clamp	1	
6	37800-XPA-010	Fuel unit assy	1	
7	37801-M9Q-000	Base packing	1	
8	37802-M9Q-000	Ret. Fuel unit	1	
9	90116-Z5C-000	Fuel pump. Bolt	6	
10	94050-06040	Flange nut 6mm	4	
11	17508-X8A-000	Fuel tank center cushion	1	
12	17580-XMB-000	Fuel cut valve	1	
13	17685-XMC-000	CANI. - CARB. tube	1	

Battery • Tool Box



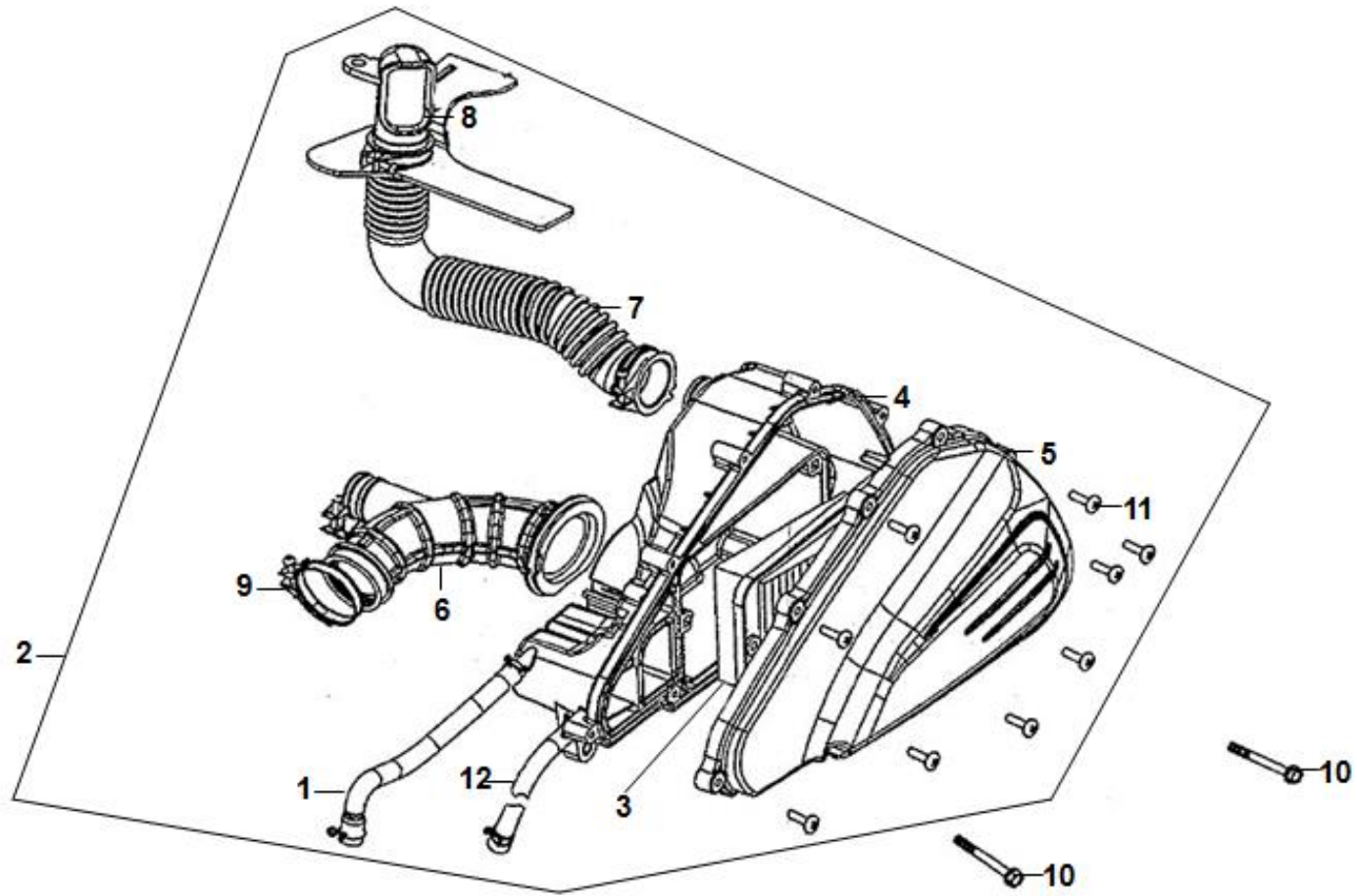
Pictures reference only

NO	PARTS NUMBER	DESCRIPTION	QTY	REMARK
1	AC-YTX7A-BS(HW)	BATTERY YTX7A-BS (HW)	1	
2	32411-ARA-010	Battery cable	1	
3	32412-XRA-000	Earth cable	1	
4	89010-V1F-000	Tool set	1	provide while stock last

•Please check the color & stripe information according to the color index !

F13
Air Cleaner

XC20W1-MYC(JET 14 200/X9L)



Pictures reference only

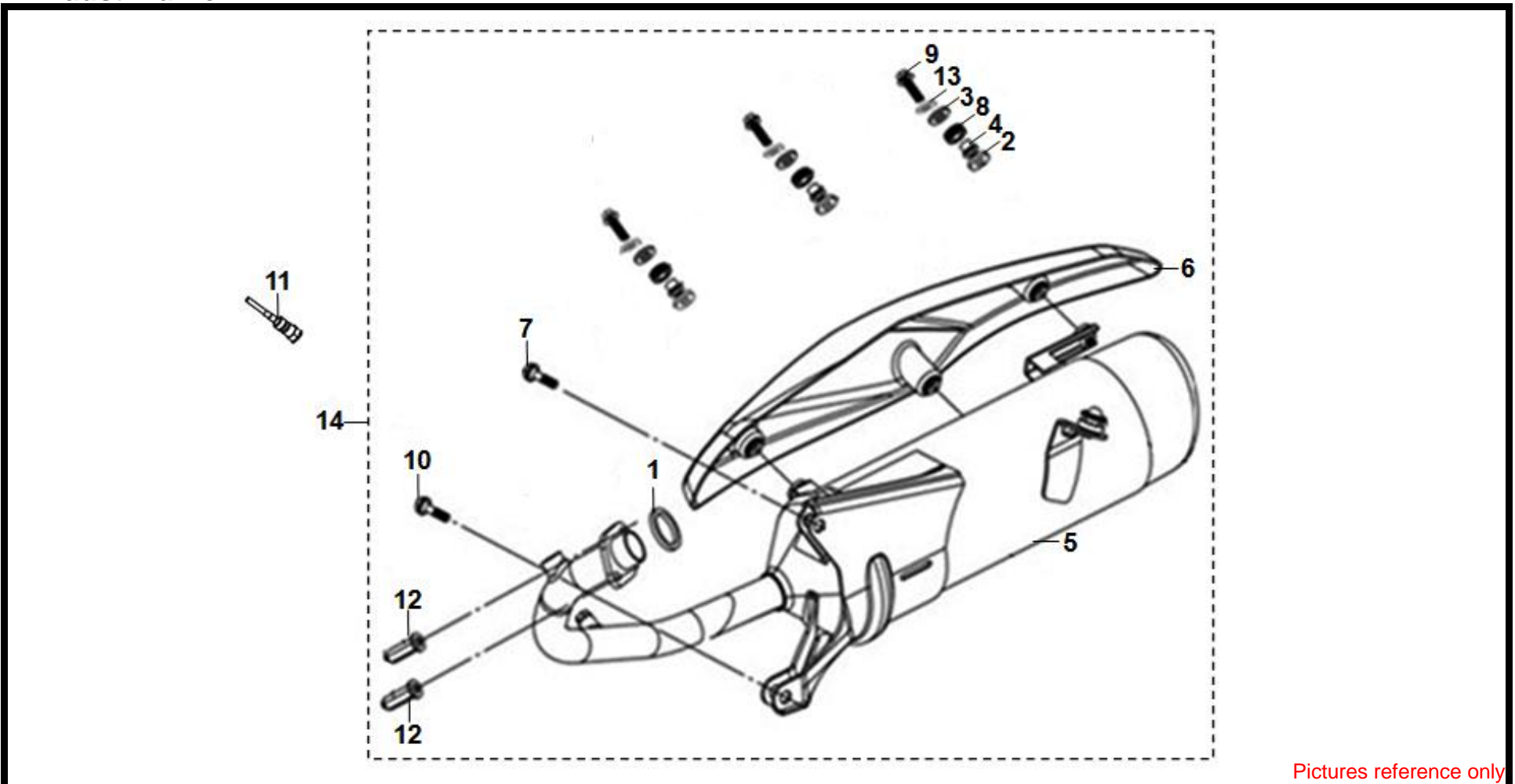
NO	PARTS NUMBER	DESCRIPTION	QTY	REMARK
1	11211-Z7P-000	Breather tube	1	
2	17200-XMB-020	AIR cleaner ASSY.	1	
3	17211-ADB-000	AIR/C element COMP.	1	
4	17230-ARA-010	AIR/C case COMP.	1	
5	17231-APA-000	AIR/C cover COMP.	1	
6	17253-XMA-010	AIR/C connecting tube	1	
7	17257-APA-000	AIR/C duct A	1	
8	17258-APA-000	AIR/C duct B	1	
9	90652-M9Q-000	AIR/C. CONN. tube band 46	1	
10	93404-06030-07	Washer bolt 6*30	2	
11	93903-25480	Tapping screw 5*20	9	
12	95003-23028-60	V tube 8*12*280	1	

●Please check the color & stripe information according to the color index !

Jul-19

F14
Exhaust Muffler

XC20W1-MYC(JET 14 200/X9L)



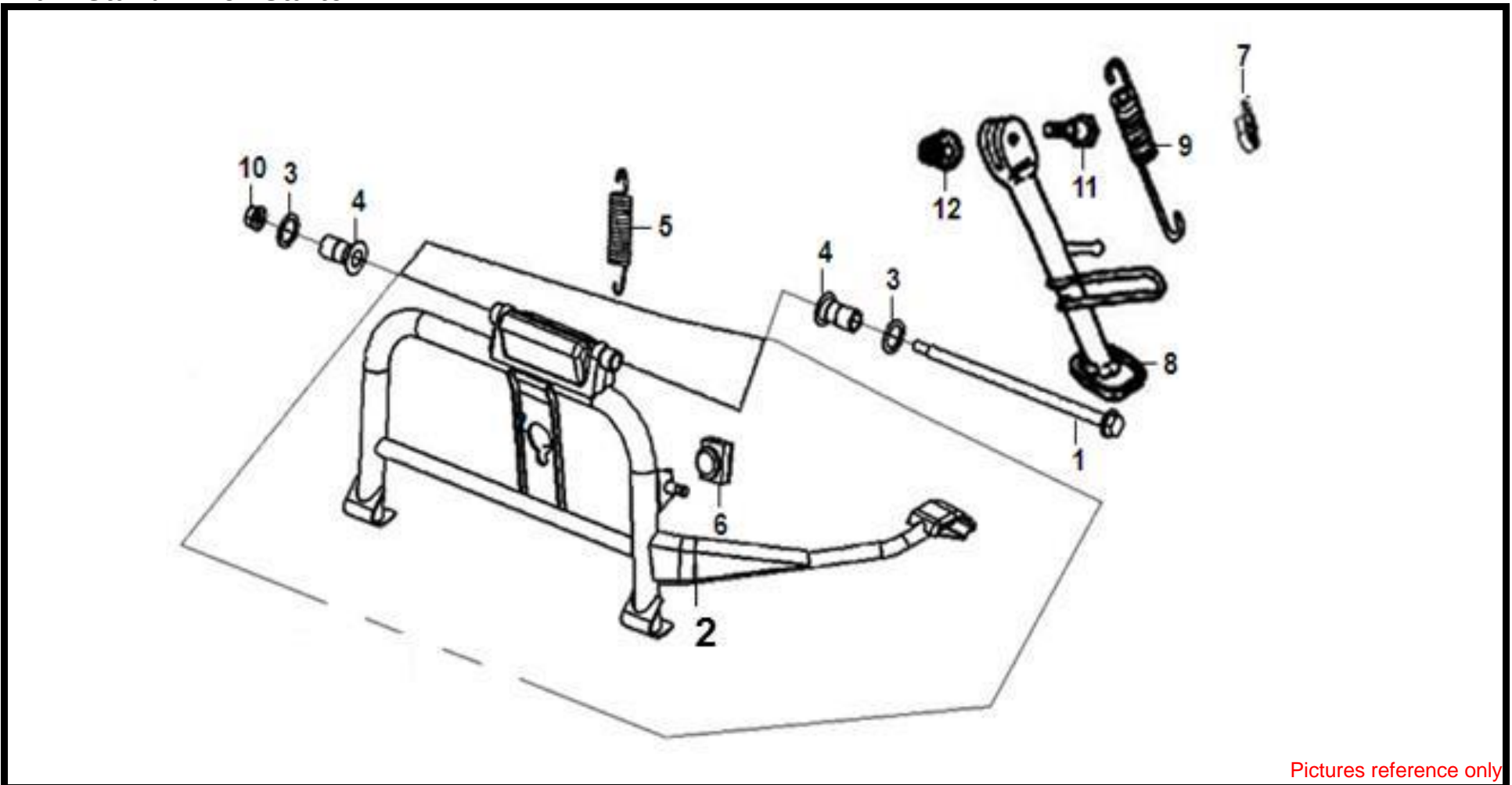
Pictures reference only

NO	PARTS NUMBER	DESCRIPTION	QTY	REMARK
1	18291-Z8G-000	EXH. pipe gasket(26.2x33)	1	
2	18292-F86-000	Protector packing A	3	
3	18293-F7S-000	Protector packing	3	
4	18295-F3E-000	Collar M6	3	
5	18300-X9A-000	EXH. muffler COMP	1	
6	18317-XPA-000-K	Muffler protector COMP(BLACK)	1	
7	95801-X81-000	Flange bolt 8x40	1	
8	18321-L1A-000	Protector rubber	3	
9	96001-06022-49	Bolt6*22	3	
10	95801-Z5D-000	Flange bolt8*65	2	
11	3789A-XJE-000	O2 sensor ASSY.	1	
12	90043-XB1-000	Cap nut 8mm	2	
13	90555-AMA-000	Washer	3	
14	18000-X9A-000-K-C	EXH muffler ASSY	1	

•Please check the color & stripe information according to the color index !

Jul-19

Main Stand • Kick Starter Arm



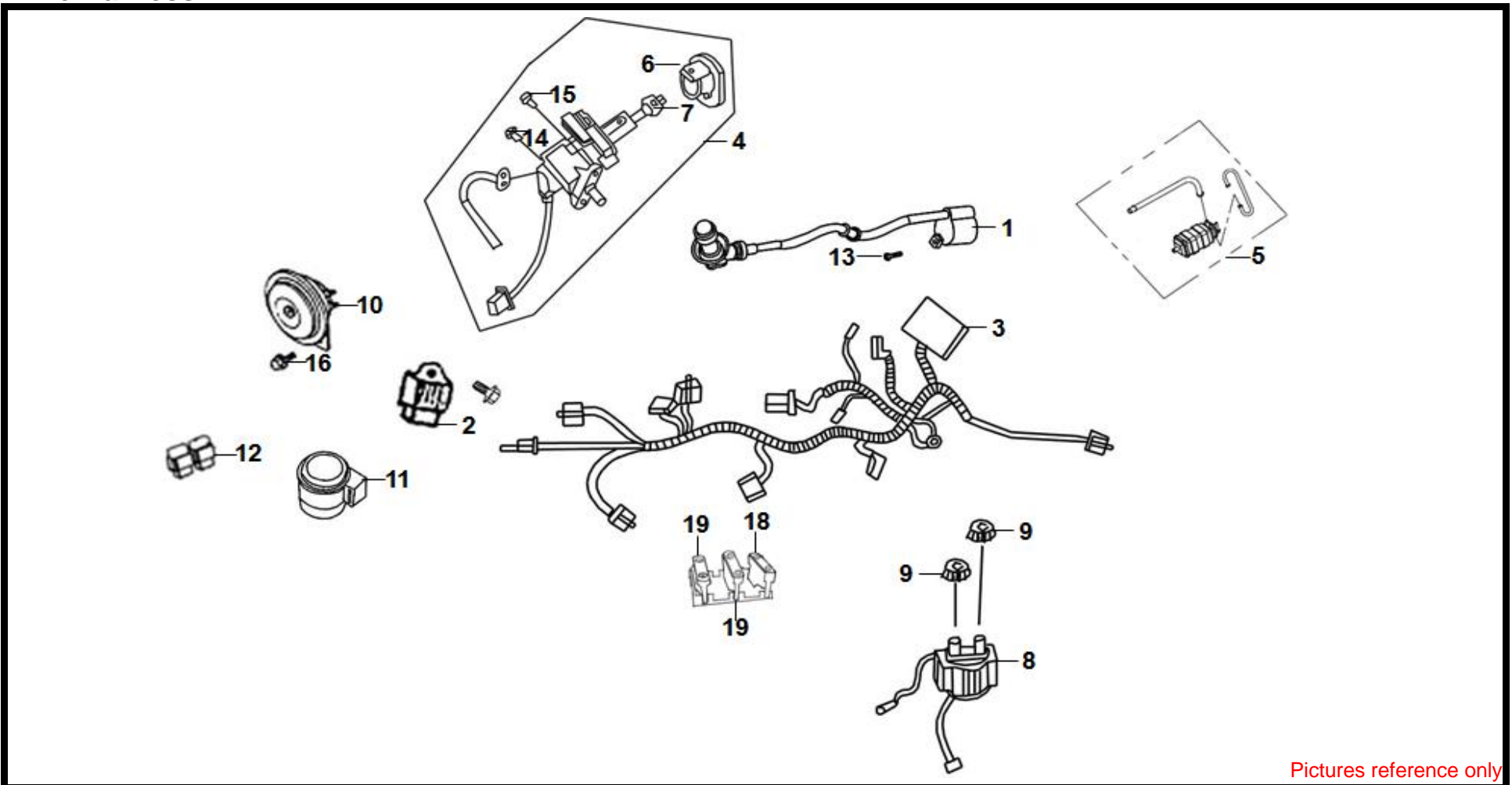
Pictures reference only

NO	PARTS NUMBER	DESCRIPTION	QTY	REMARK
1	50512-ARA-000	Flange bolt	1	
2	50500-X8A-000	Main stand COMP	1	
3	50503-F6B-000	Main stand washer	2	
4	50504-Z6A-000	Main stand collar	2	
5	5052A-APA-900	Main stand SPG.ASSY	1	
6	50506-ABA-000	Stand stop rubber A	1	
7	35270-Z7C-000	Side stand SW.	1	
8	50530-X8A-000	Side stand COMP	1	
9	50535-Z7C-000	Side stand SPG. ASSY	1	
10	90309-M9Q-000	Self-lock nut 8MM	1	
11	90108-Z7C-010	Side stand pivot screw	1	
12	90309-N7C-000	Self-lock nut 8MM	1	

•Please check the color & stripe information according to the color index !

F16
Wire Harness

XC20W1-MYC(JET 14 200/X9L)



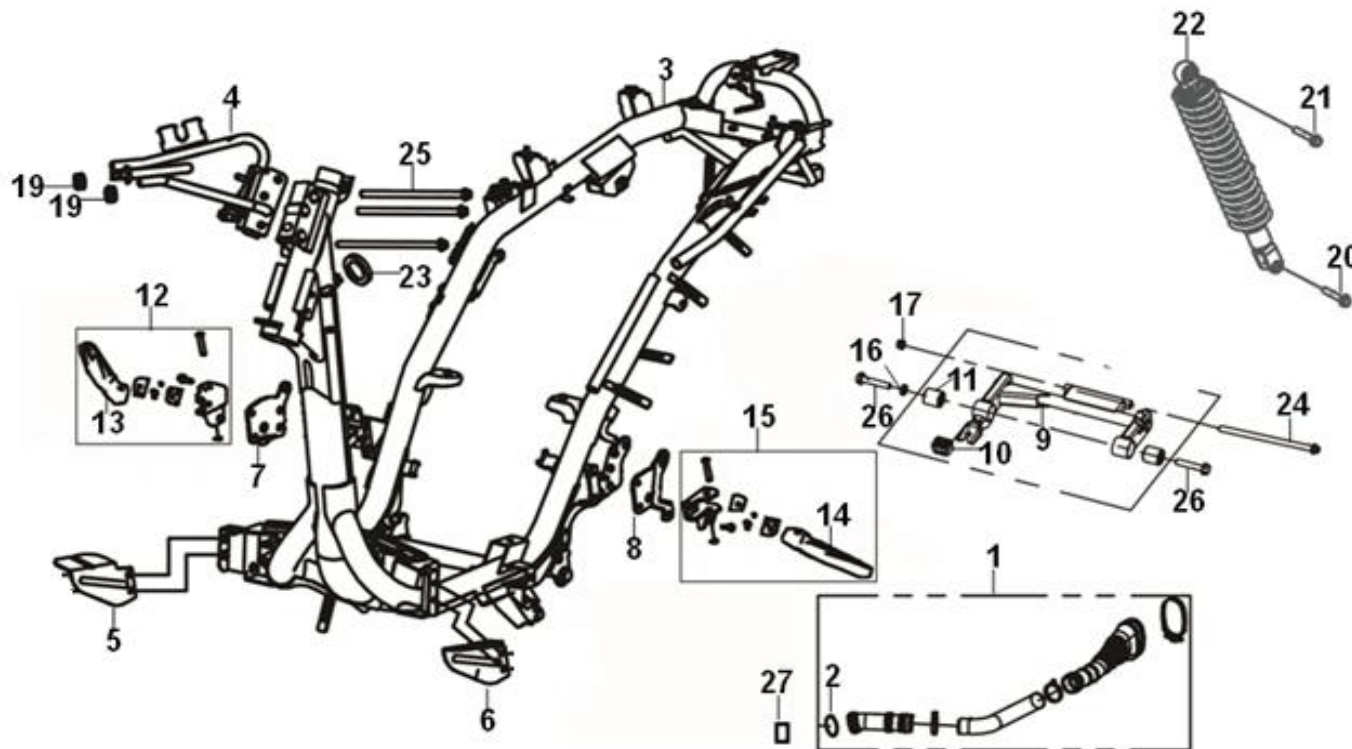
Pictures reference only

NO	PARTS NUMBER	DESCRIPTION	QTY	REMARK
1	3051A-X8A-020	IGN. COIL. ASSY	1	
2	31600-MA1-000	REG. REC. COMP	1	
3	32100-X9A-010	Wire harness	1	
4	35010-X8A-010	Key set	1	
5	1730A-X8A-000	Canister set	1	
6	35114-ALA-000	Main SW.cover	1	
7	35111-XGA-000	Key	1	
8	3585A-35A-A00	MAG. SW. COMP	1	
9	35859-M9Q-000	Start MAG. SW. NUT	2	
10	38100-N7B-E10	Horn COMP	1	
11	38300-T40-010	Ap winker relay ASSY	1	
12	3850A-HLA-100-A1-VN	ELEC. relay ASSY	3	
13	90112-H5B-000	COIL SCREW 4mm	2	
14	90085-HHA-900	Flange bolt 6*16	1	
15	95801-06016-04	Flange bolt 6X16	1	
16	95801-08012-04	Flange bolt 8X12	1	
17	98200-31000	Blade fuse 10A	2	
18	98200-31500	Blade fuse 15A	2	
19	98200-33000	Plate fuse (30A)	3	

●Please check the color & stripe information according to the color index !

Jul-19

Frame Body • Engine Hanger



Pictures reference only

NO	PARTS NUMBER	DESCRIPTION	QTY	REMARK
1	1134C-ARA-000	L. cover duct T ASSY	1	
2	17242-M9Q-000	AIR/C duct BAND	1	
3	50100-X8A-000	Frame body COMP.	1	
4	50180-X8A-000	Front cover stay	1	
5	50181-X8A-010	Floor panel stay A	1	
6	50182-X8A-010	Floor panel stay B	1	
7	50183-X8A-000	RH. step STAY	1	
8	50184-X8A-000	LH. step STAY	1	
9	50351-ARA-010	ENG. hanger COMP	1	
10	50352-ADB-000	Link stopper rubber	1	
11	50353-M9Q-000	Swing lock bush	2	
12	50710-X8A-000	RH. pillion step ASSY	1	
13	50715-APA-000	RH. pillion step	1	
14	50718-APA-000	LH. pillion step	1	
15	50720-X8A-000	Lh. Pillion step ASSY	1	
16	90121-M9Q-900	Distance collar	1	
17	90304-AAA-000	Flange. U nut 10mm	1	
19	64304-X01-000	FR. cover rubber	3	
20	95801-08035-04	Flange bolt 8*35	2	
21	95801-10035-04	Flange bolt 10*35	2	
22	52400-AR1-020-K	Rr. Cushion ASSY	2	
23	64306-X01-0000	Inner box sponge	1	
24	90105-ARA-000	Special bolt 10*191	1	
25	95801-08045-04	Flange bolt 8x45	2	
26	90106-ABA-000	Flange bolt 6*25	2	
27	11346-ABA-000	L cover duct band	1	

•Please check the color & stripe information according to the color index !